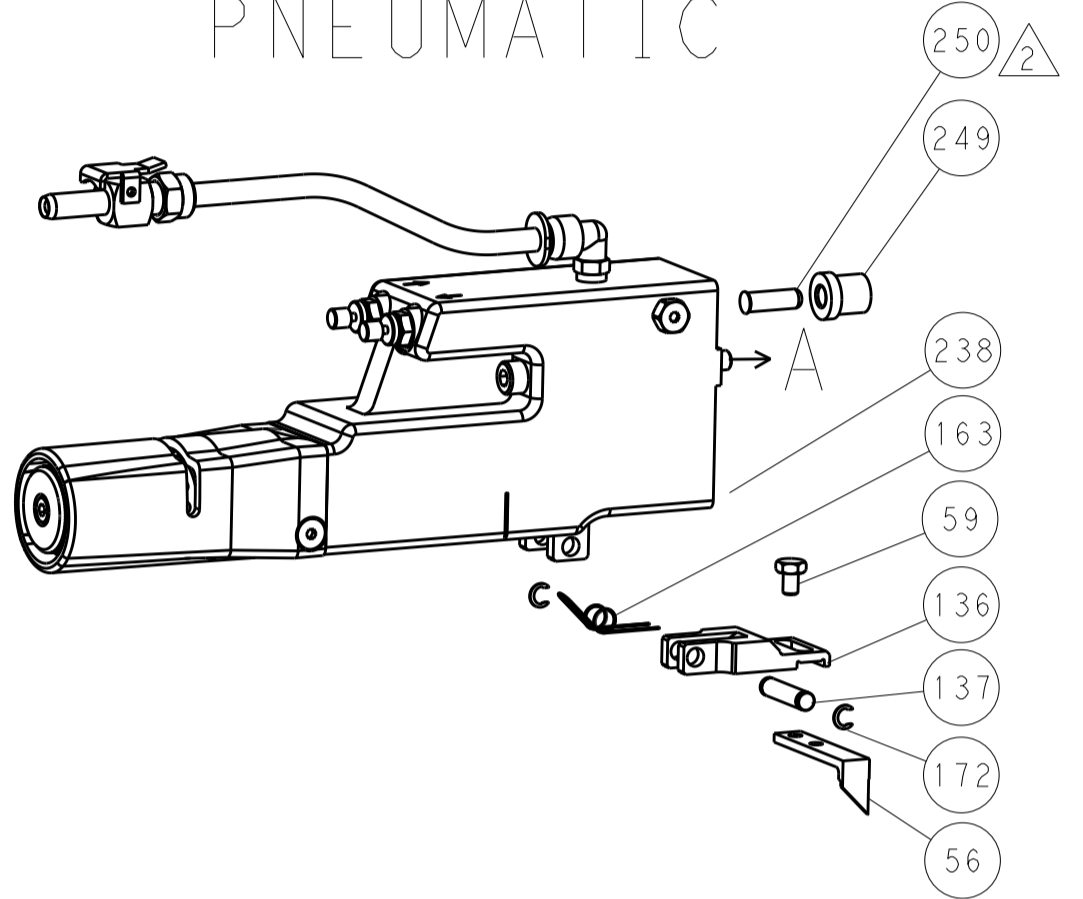


LOC	DIST	REV	DATE	BY	APPV
A	66				

FEED TYPE MECHANICAL



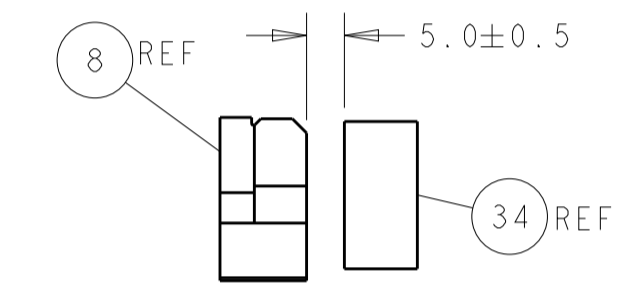
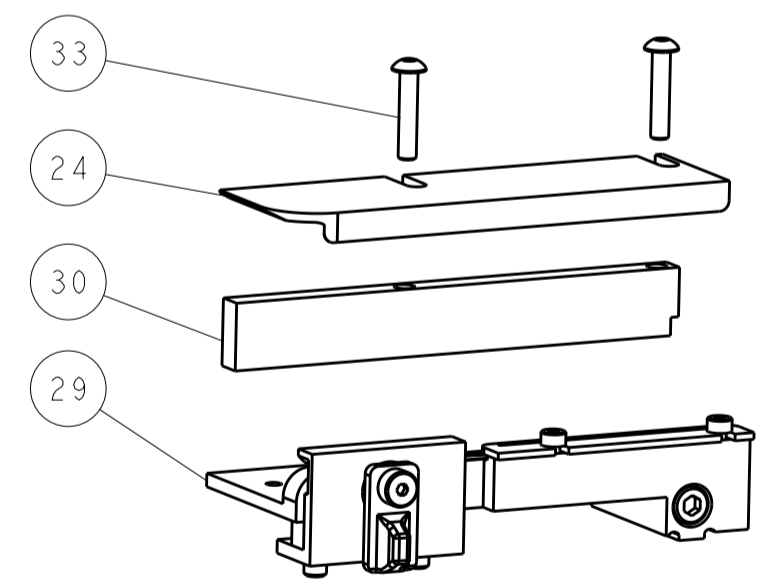
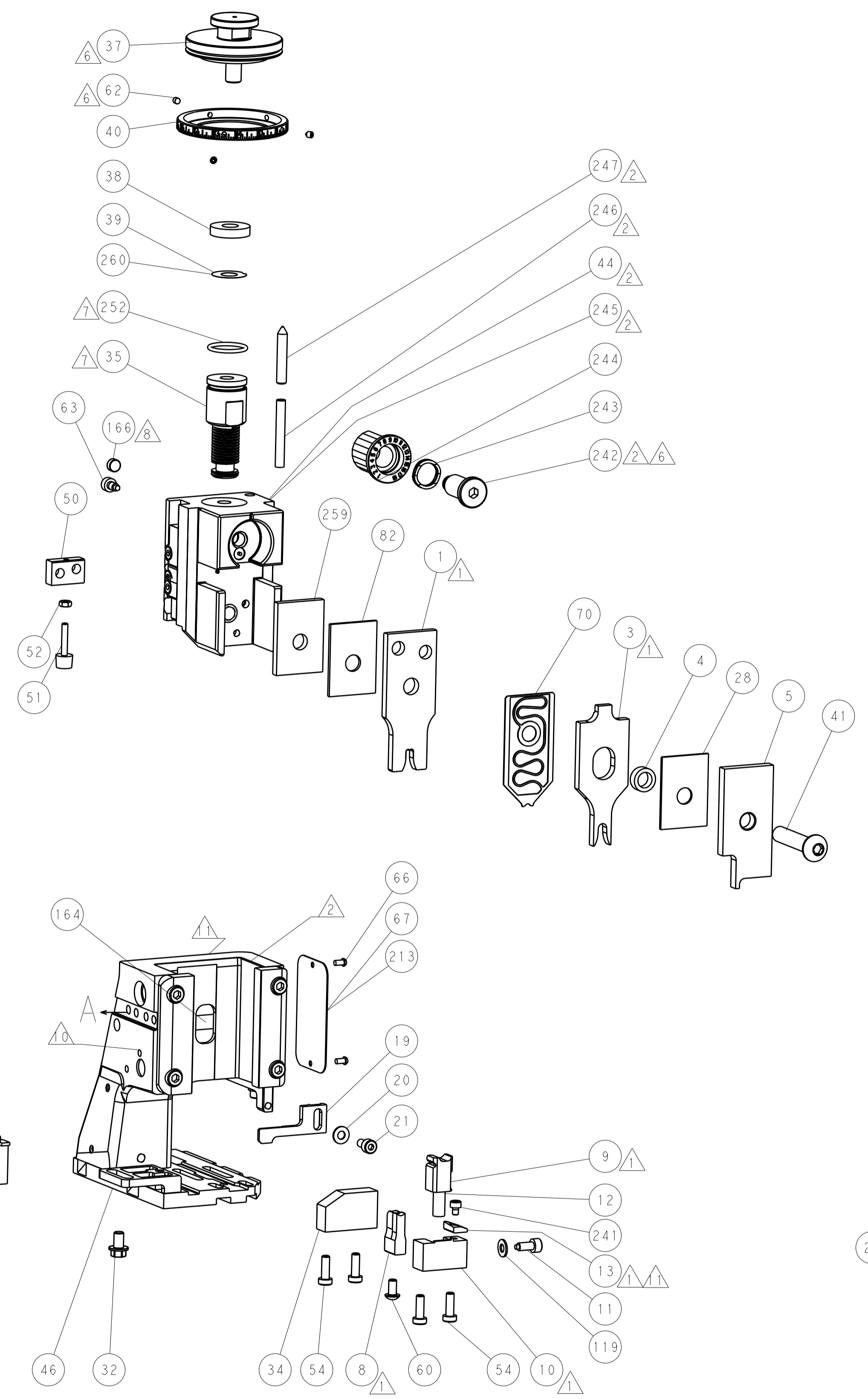
PNEUMATIC



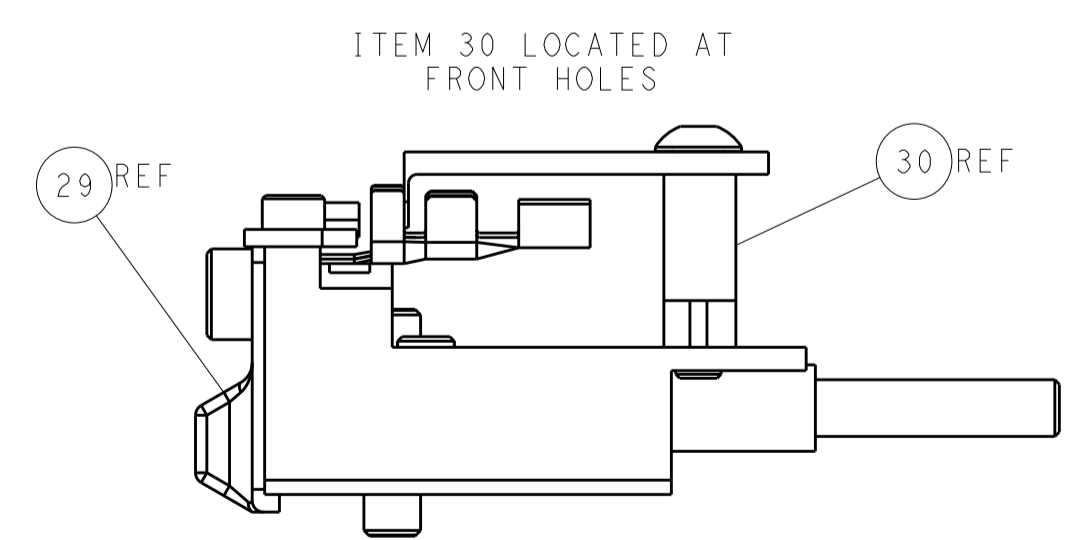
SERVO LATCH PLATE



CAM POSITIONS



TERMINAL SUPPORT LOCATION



FEED TRACK POSITION GUIDE BY INSULATION BARREL

ATLANTIC VERSION
 Shown on sheets 1 of 4 & 2 of 4
 (Pacific version shown on sheets 3 of 4 & 4 of 4)

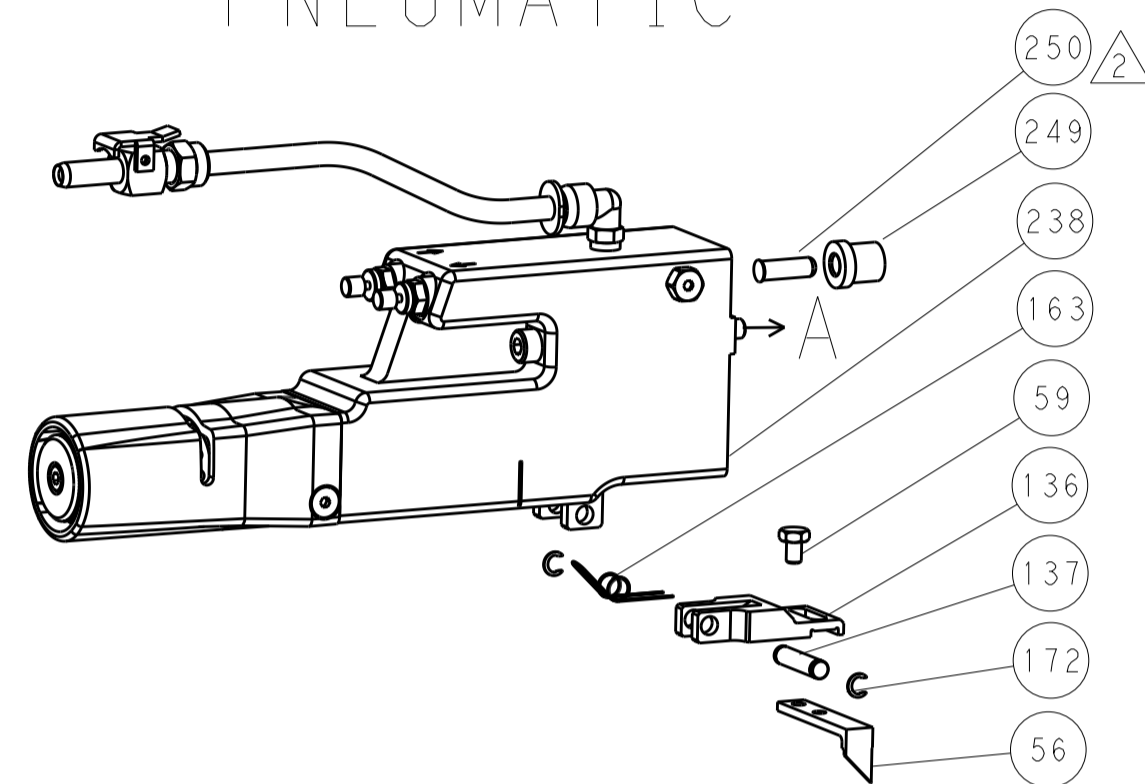
DIMENSIONS: mm 		TOLERANCES UNLESS OTHERWISE SPECIFIED: 0 PLC ± 1 PLC ± 2 PLC ± 3 PLC ± 4 PLC ± ANGLES ±		DWN: R. O. WILSON 08MAR2013 CHK: K. J. STAKEM 11MAR2013 APVD: T. L. ELBIN 11MAR2013 PRODUCT SPEC APPLICATION SPEC WEIGHT Customer Accessible Production Drawing		NAME: Ocean Side Feed Applicator SIZE: A1 CAGE CODE: 00779 DRAWING NO: C=2151889 SCALE: 1:2 SHEET: 2 of 4 REV: C	
--------------------	--	---	--	---	--	--	--

LOC		DIST		REVISIONS			
A	66	P	LTM	DESCRIPTION	DATE	OWN	APVD
		-		SEE SHEET 1			

FEED TYPE MECHANICAL



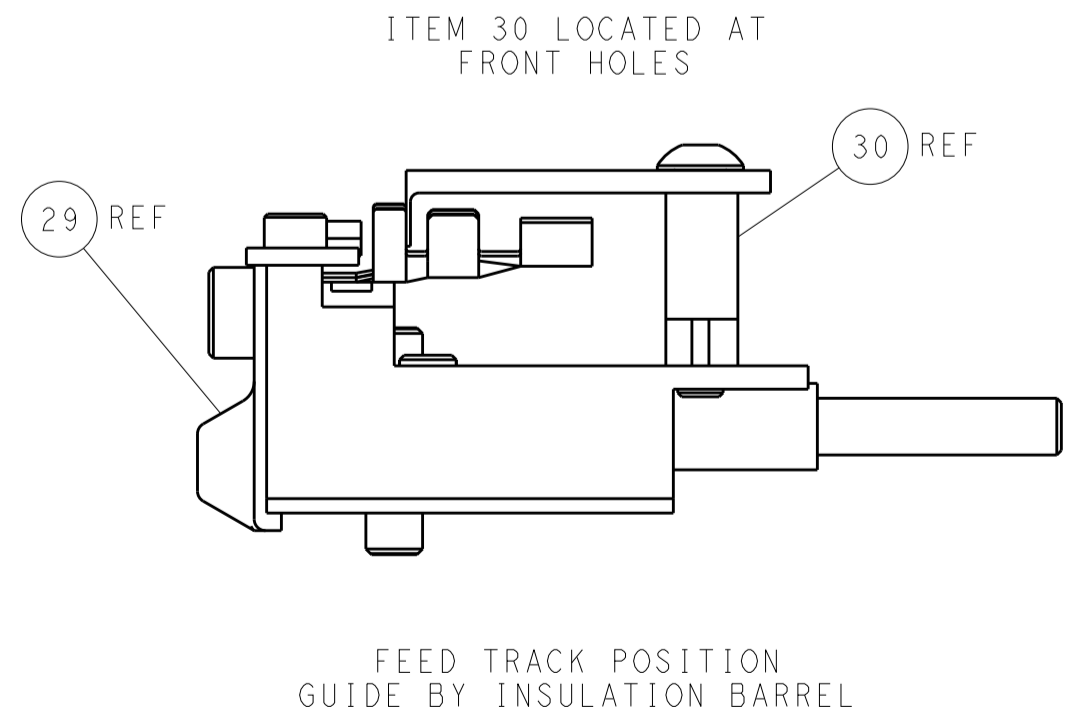
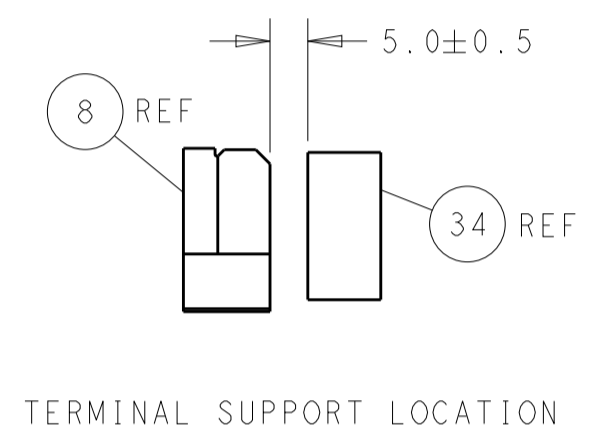
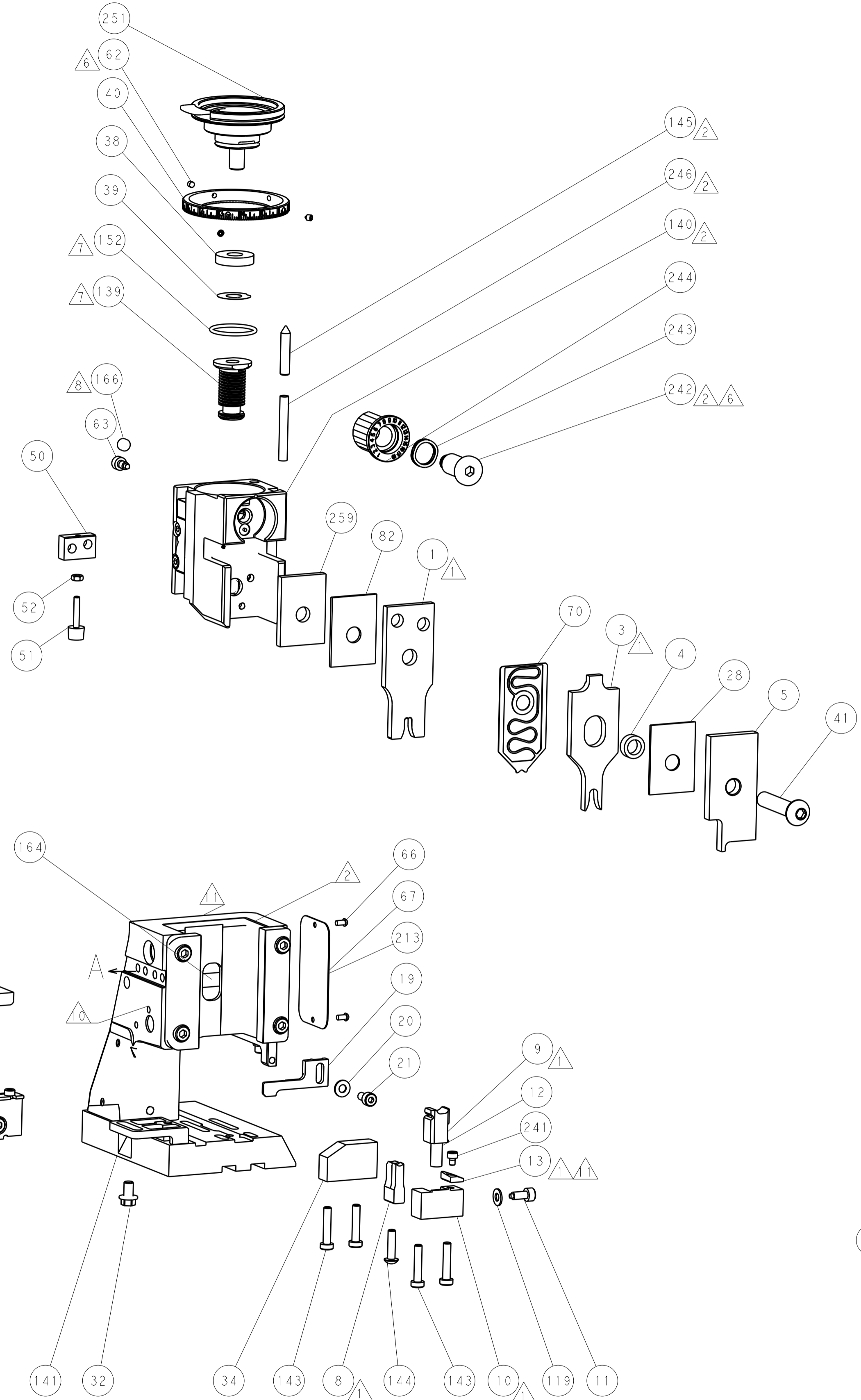
PNEUMATIC



SERVO LATCH PLATE



CAM POSITIONS



PACIFIC VERSION
 Shown on sheets 3 of 4 & 4 of 4
 (Atlantic version shown on sheets 1 of 4 & 2 of 4)

DIMENSIONS:		TOLERANCES UNLESS OTHERWISE SPECIFIED:		DWG: R.O. WILSON 08MAR2013		NAME: TE Connectivity	
mm	0 PLC ±	1 PLC ±	2 PLC ±	3 PLC ±	4 PLC ±	Harrisburg, PA 17105-3608	
MATERIAL:		FINISH:		CHK: K.J. STAKEM 11MAR2013		PRODUCT SPEC:	
				APVD: T.L. ELFIN 11MAR2013		APPLICATION SPEC:	
				WEIGHT:		SIZE: CAGE CODE: DRAWING NO:	
				Customer Accessible Production Drawing		A1 00779 ©=2151889	
				SCALE: 1:2		SHEET 4 OF 4 REV C	