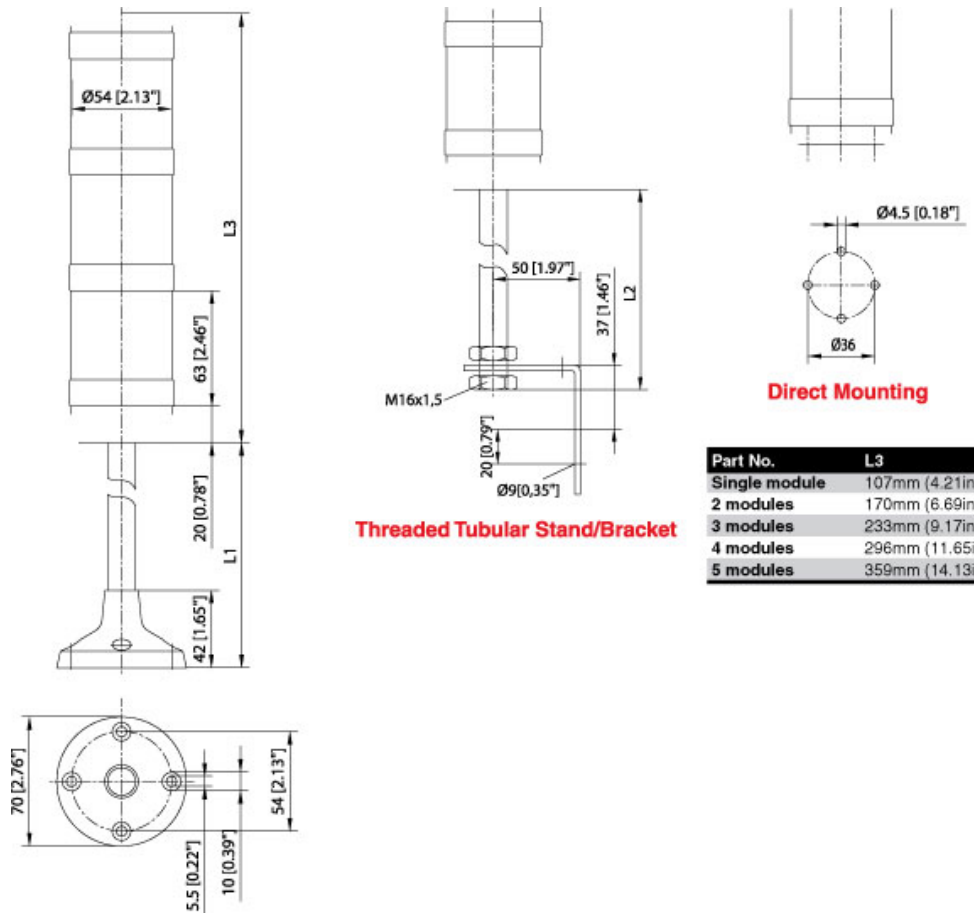


Stack Lights *PBR Series*



- Modular design for all indoor and outdoor applications.
- Provides warning signals and displays machine status.
- High level of protection against electric shock with IP 54 rating.
- Separate components for easy ordering to suit every installation application.

Gallery



Tubular Stand/Plinth

Threaded Tubular Stand/Bracket

Direct Mounting

Part No.	L3
Single module	107mm (4.21in)
2 modules	170mm (6.69in)
3 modules	233mm (9.17in)
4 modules	296mm (11.65in)
5 modules	359mm (14.13in)

Base and Tubes

Part No.	Description	Ship Wt.		
		L1	L2	(lbs)
PBR50BC	Base & End Module	-	-	5
PBR50S100	Tubular Stand/Plinth	3.46	-	5

Part No.	Description	L1	L2	Ship Wt. (lbs)
PBR50S250	Tubular Stand/Plinth	9.37	-	5
PBR50T100	Threaded tubular stand/bracket	-	3.07	5
PBR50T250	Threaded tubular stand/bracket	-	8.98	5
PBR50T400	Threaded tubular stand/bracket	-	14.13	5

Modules

Part No.	Description	Ship Wt. (lbs)
PBR50CLCL	Continuous beam module, transparent	1
PBR50CLYE	Continuous beam module, yellow	1
PBR50CLAM	Continuous beam module, amber	1
PBR50CLRE	Continuous beam module, red	1
PBR50CLGR	Continuous beam module, green	1
PBR50CLBL	Continuous beam module, blue	1
PBR50BLYE24V	Blinking module, yellow	1
PBR50BLRE24V	Blinking module, red	1
PBR50BLGR24V	Blinking module, green	1

Gaskets, Bulbs and Accessories

Part No.	Description	Ship Wt. (lbs)
PBR50MG	Replacement gasket for light module & base module	1
PBR50TG	Replacement gasket for mounting tube with plinth	1
PBR50BG	Replacement gasket for direct mounting IP 65	1
PBR50LED24	LED light bulb 24V/BA 15d	1
PBR50LED115	LED light bulb 115V/BA 15d	1
PBR50L24	Light bulb 24V DC/BA 15d 7W	1
PBR50L115	Light bulb 115V CD/BA 15d 7W	1
PBR50LS	Bulb Remover/Installer	1
PBR50EXT	StacklightExtension	2

Modular Data	Continuous Beam	Blinking Light
Modular Colors	Yellow, Red, Green, Amber, Blue, Transparent	Yellow, Red, Green
Modular Stages	Max. 5	Max. 5)
Angle of Beam	360 degrees	360 degrees
Percentage Duty Cycle	1	1
Rated Power, max.	7W	7W
Rated Power with 5 stages	5W	5W
Lamp Socket	BA 15d	BA 15d
Service life of light bulb/tube	approx. 1500h	approx. 1500h
AC Voltage Rating	230 V, 50/60 Hz, -15% to + 10%	230 V, 50/60 Hz, -15% to +10%
Current Capacity Rating	0.035 A	0.08 A
DC Voltage Rating	24 V, -15% to +20%	24 V, -15% to +20%
Current Capacity Rating	0.3 A	0.25 A

Other Data	
Protection Rating	IP 54
Operating Temperature	-25 o C to +45 o C
Relative Humidity	0.9
Installation	Vertical or Horizontal
	Mounting Stand, tube mounting or direct mounting
Accessories	Gasket for light module + basic module IP 65
	Gasket for tubular stand on plinth IP 65
	Gasket for direct mounting IP 65
	Wall bracket with hood
Weight of Plinth	Stand mounting (w/o module): approx. 220g
	Tube mounting (w/o module): 200g
	Direct mounting (w/o module): 180g
Materials	Modular: polycarbonate, Plinth: ABS, Tube: stainless steel

Data subject to change without notice