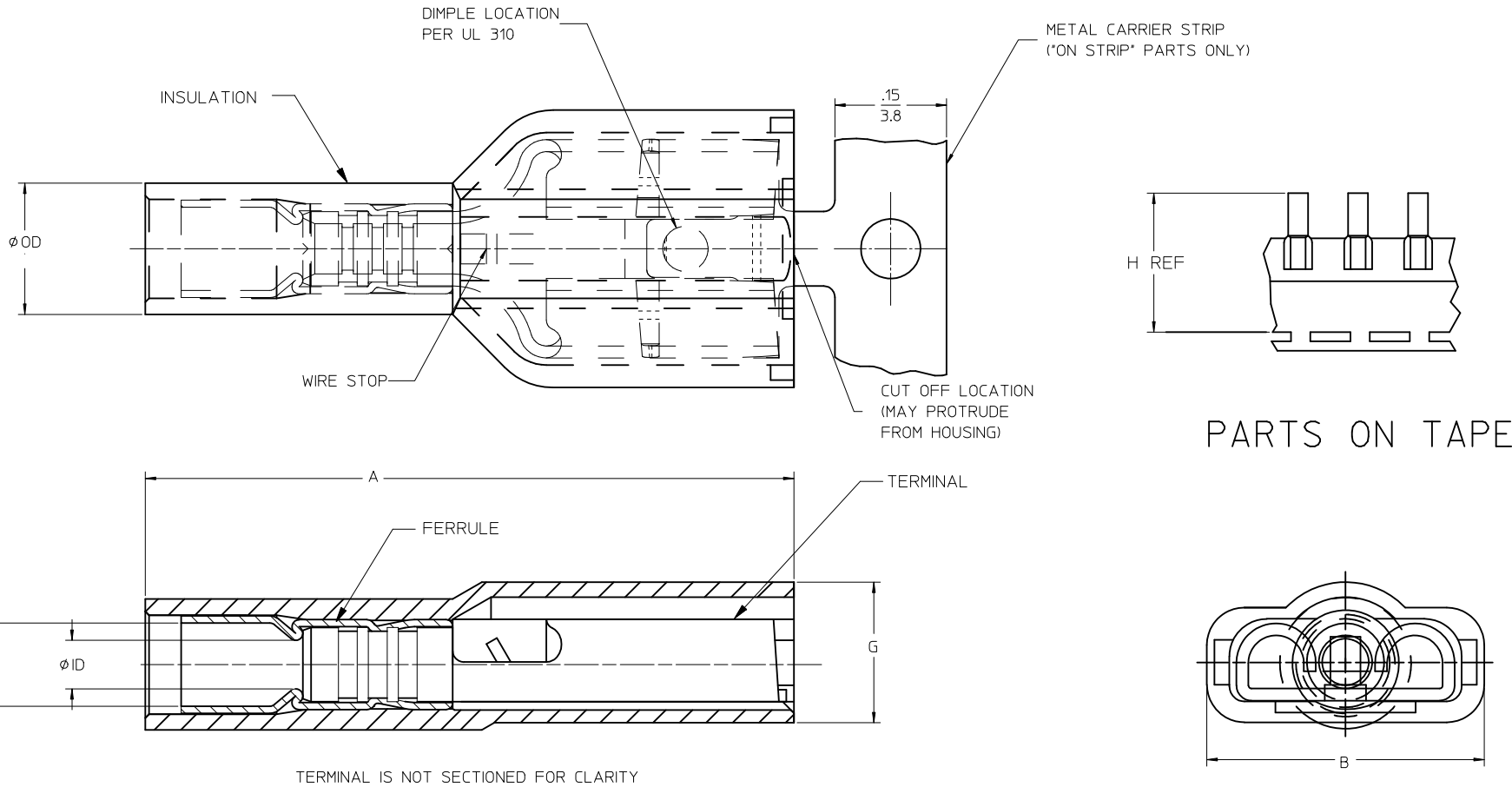


13	12	11	10	9	8	7	6	5	4	3	2	1		
MATERIAL NUMBER LOOSE PCS	ENGINEERING NUMBER LOOSE PCS	MATERIAL NUMBER ON STRIP	ENGINEERING NUMBER ON STRIP	MATERIAL NUMBER ON TAPE	ENGINEERING NUMBER ON TAPE	ACCEPTS TAB SIZE	STOCK THK REF	OD MAX	ID MIN	MWID	"A" MAX	"B" MAX	"G" MAX	"H" REF
192770002	AA-5261-LIF	192770001	AA-5261Z-LIF	192770003	AA-5261T-LIF	.250 X .032	.016/0.41	.19/4.8	.056/1.42	.12/3.0	.89/22.6	.38/9.7	.20/5.1	1.43/36.2
192770005	BB-5263-LIF	192770004	BB-5263Z-LIF	192770006	BB-5263T-LIF	.250 X .032	.016/0.41	.22/5.6	.079/2.00	.14/3.6	.89/22.6	.38/9.7	.20/5.1	1.43/36.2
192770008	C-5293-LIF	192770007	C-5293Z-LIF	192770009	C-5293T-LIF	.250 X .032	.018/0.46	.32/8.1	.117/2.97	.23/5.8	1.02/25.9	.39/9.9	.24/6.1	1.51/38.4



PARTS ON TAPE

SALES DRAWING

NOTES:

- MATERIALS:
 TERMINAL: MATTE-TIN PLATED BRASS
 FERRULE: MATTE-TIN PLATED COPPER ALLOY
 INSULATION: NYLON 6/6 94V-2,
 SEE CHART FOR COLORS
- PRODUCT SPECIFICATION: PS-19902-012
- MWID = MAXIMUM WIRE INSULATION DIAMETER
- PARTS ARE ROHS COMPLIANT

RELEASE EC NO: WNA2009-0761 DRAWN: ETHRODAHL 2010/03/17 CHKD: JMACNEIL 2010/03/17 APPR: JMACNEIL 2011/01/06 REV: A	QUALITY SYMBOLS ▽=0 ▽=0	GENERAL TOLERANCES (UNLESS SPECIFIED)		DIMENSION STYLE IN/MM	SCALE 1:1	DESIGN UNITS INCH	THIRD ANGLE PROJECTION
		4 PLACES ± --- ± ---	DRAWN BY ETHRODAHL	DATE 2010/03/17	TITLE QUIXON LOW INSERT FORCE FULLY INSUL QUICK DISCNT AVIKRIMP 22-10 AWG		
		3 PLACES ± --- ± .005	CHECKED BY JMACNEIL	DATE 2010/03/17	MOLEX INCORPORATED		
		2 PLACES ± 0.13 ± .010 1 PLACE ± 0.25 ± .020 ANGULAR ± 1/2°	APPROVED BY JMACNEIL	DATE 2011/01/06	DOCUMENT NO. SD-19277-001	SHEET NO. 1 OF 1	
DRAFT WHERE APPLICABLE MUST REMAIN WITHIN DIMENSIONS		SEE CHART		THIS DRAWING CONTAINS INFORMATION THAT IS PROPRIETARY TO MOLEX INCORPORATED AND SHOULD NOT BE USED WITHOUT WRITTEN PERMISSION			