

5

4

3

2

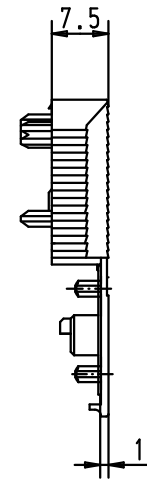
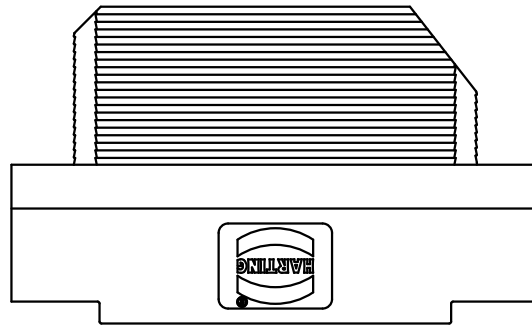
1

D

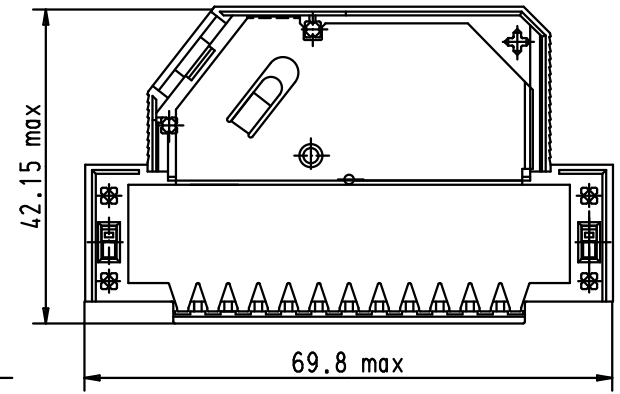
C

B

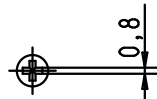
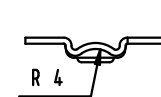
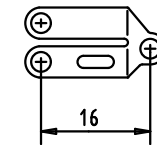
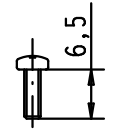
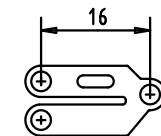
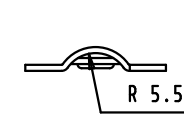
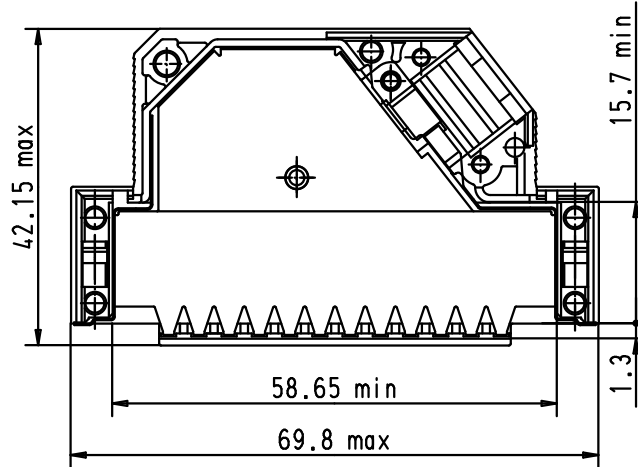
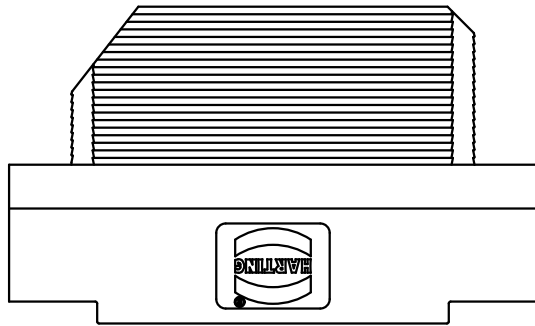
A



Hood upper part




Hood lower part



Strain relief 1

Strain relief 2

Flathead screw

				Det.		Name				
			Detail.	27/02/03		S.H.				
			Insp.							
			Stand.							
EC01696	20/04/10	SC	HARTING EURL F-95972 Paris					D-Sub Hoods 37 POLES SHIELDED		Moßstab/ Scale
31392	27/02/03	S.H.								TB 09 67 037 0573
Mod.	Det.	Name							Blatt/ Page	
									1 / 1	