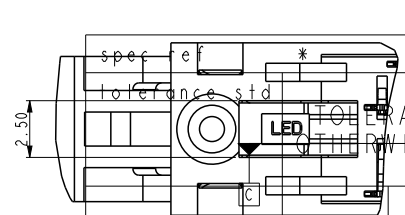
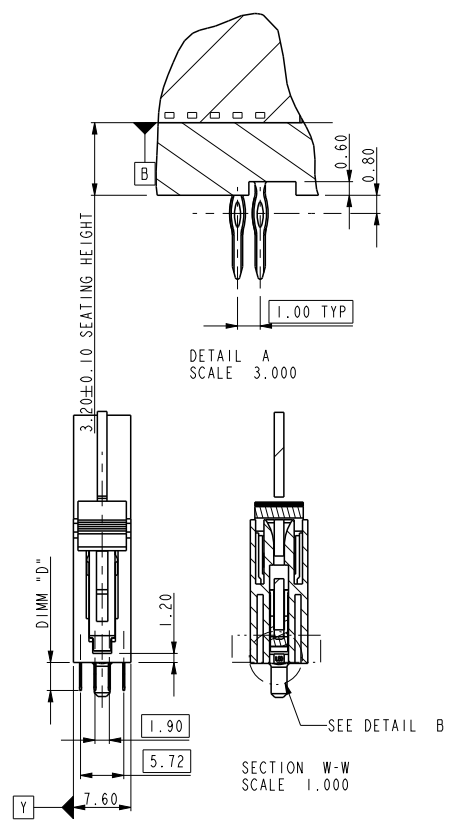
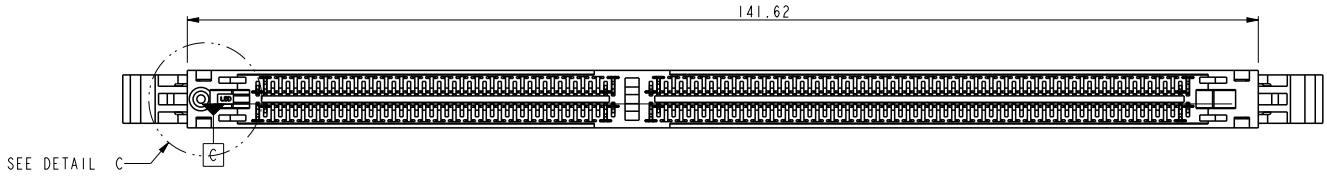
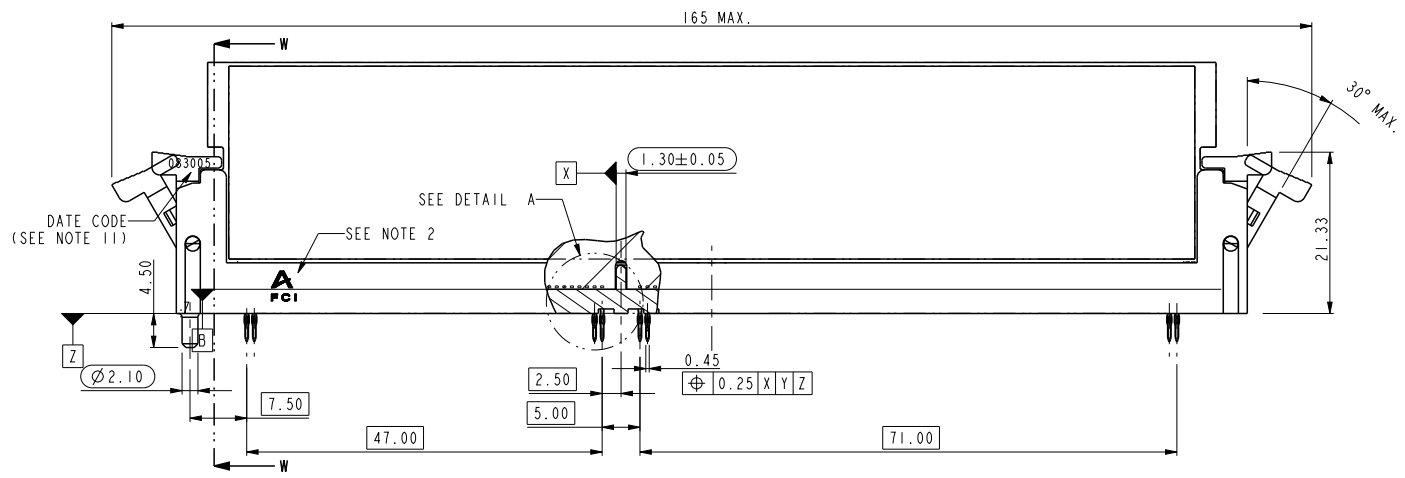
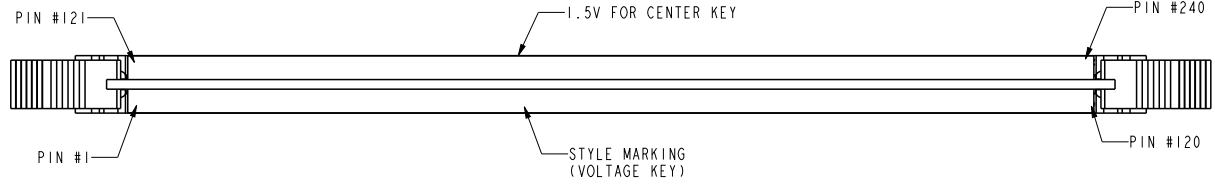




Copyright FCI.



eng	Rick Bian	2010/07/03
eng	Nickor Zuo	2011/08/26
app	Pei-Ming Zheng	2011/08/26

projection	
product family	

mm

size	A4	scale	0.500
ecn no	ELX-DG-005349-1		
rel level	Released		

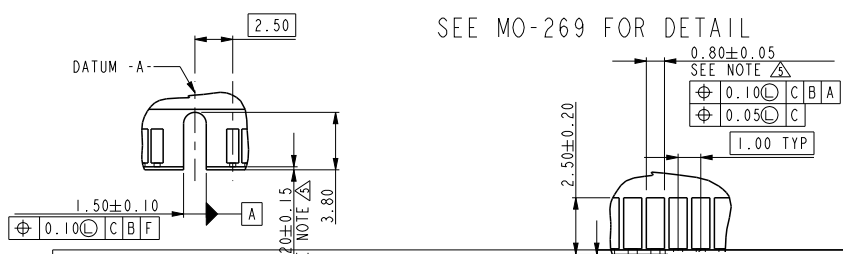
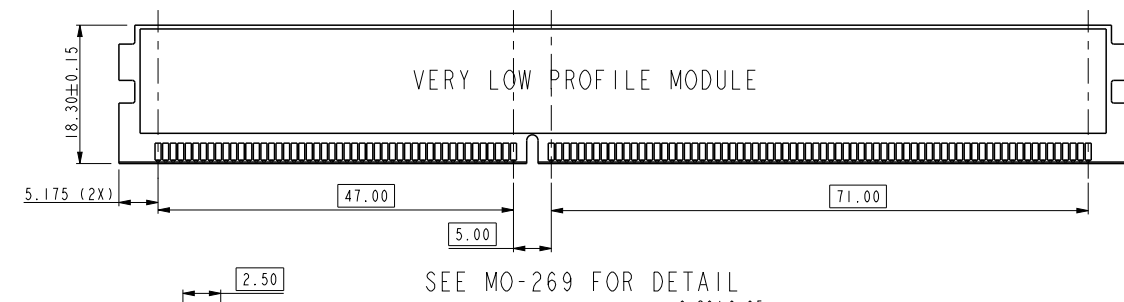
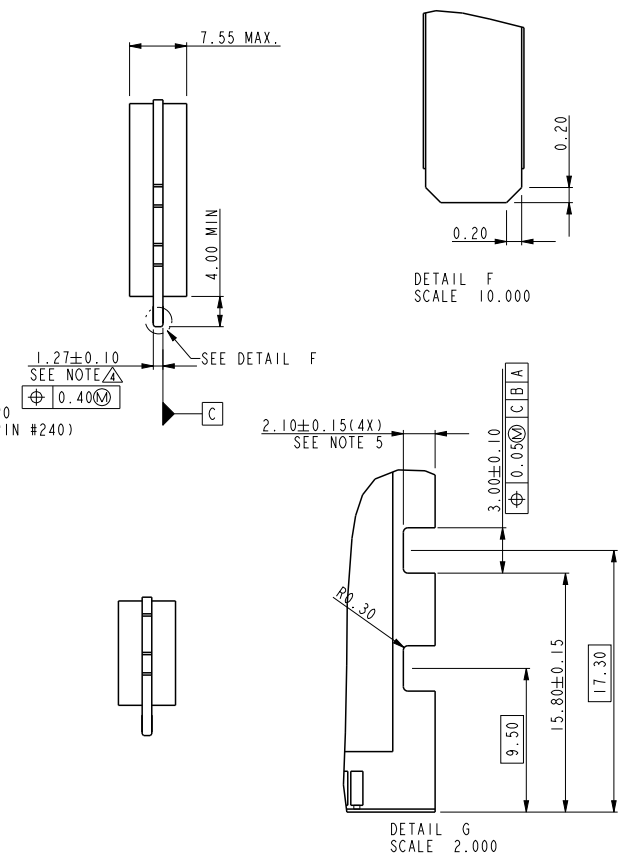
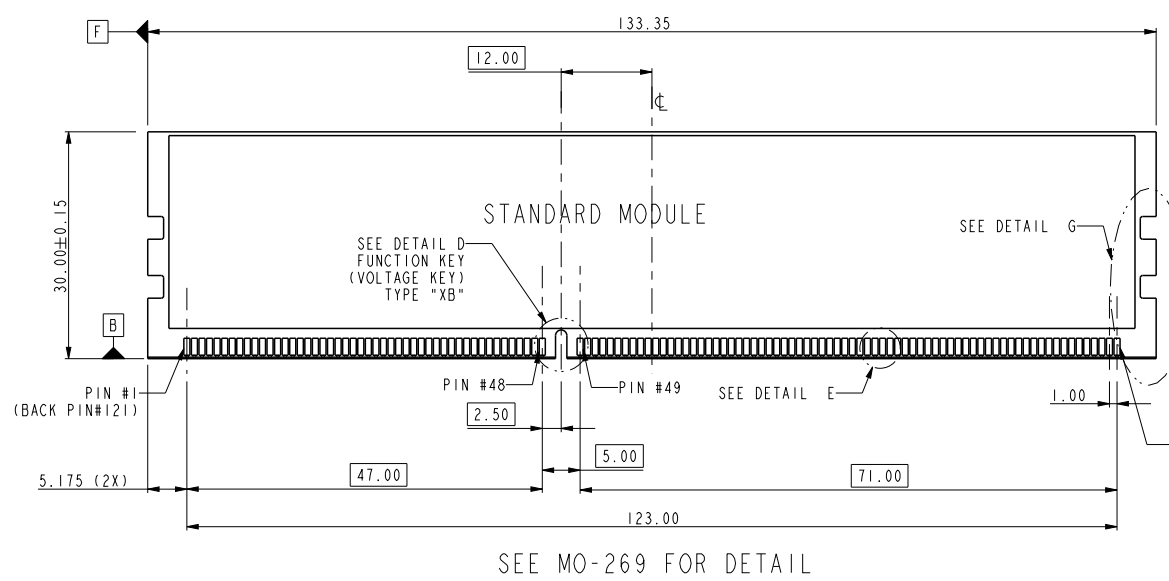
surface	linear	0.X	±	
		0.XX	±	
		0.XXX	±	
	angular	0°	±y	

title	DDR III, 240P PRESS-FIT	dwg no	10087607	rev	B
title	V/T HOUSING				
cat. no.	*	Product - Customer Drw	sheet 1 of 4		

ProjE File - REV C - 2009-06-09



Copyright FCI.



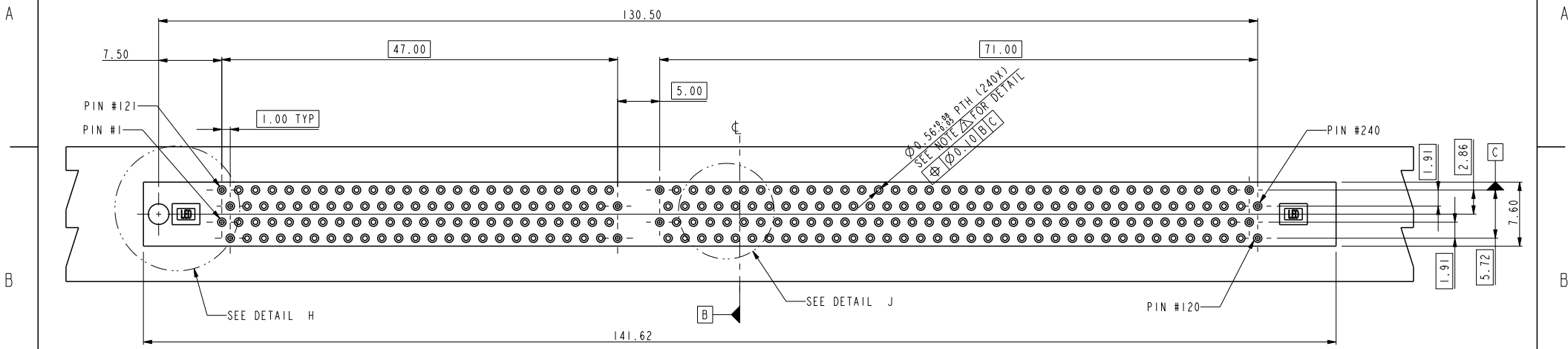
spec	ref	dr	Rick Bian	2010/07/03	projection	mm	size	A4	scale	0.500
toler	DETAIL D FUNCTION KEY KEY POSITION TYPE "XB" SCALE 2.000	eng	Nickor Zuo	2011/08/26			ecn no		ELX-DG-005349-1	
surface	TOLERANCES UNLESS OTHERWISE SPECIFIED	chr	Pei-Ming Zheng	2011/08/26			rel level		Released	

linear	NOTE: 1. MATERIAL: FR-4 2. FINISH: SOLDER MASK 0.0X BURR: 0.108 MAX.	FCI	title	DDR III, 240P PRESS-FIT V/T HOUSING	dwg no	10087607	rev	B
angular	0°	±y°	www.fci.com	cat. no.	Product - Customer Drw		sheet 2 of 4	

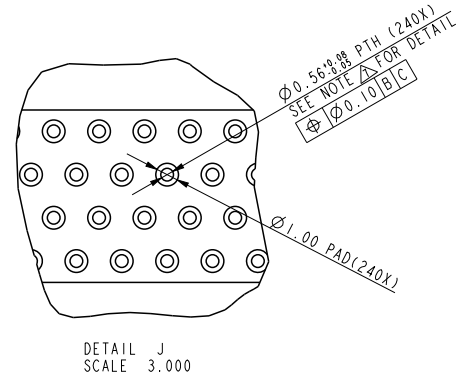
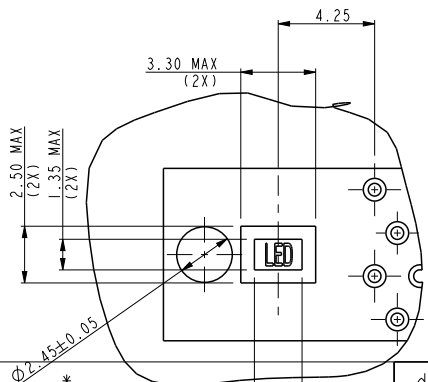
ProjE File - REV C - 2009-06-09



Copyright FCI.



RECOMMENDED CIRCUIT BOARD HOLE LAYOUT



spec ref	*	dr	Rick Bian	2010/07/03	projection	mm	size	A4	scale	0.500
tolerance std	2.10 MAX (2X)	eng	Nickor Zuo	2011/08/26			ecn no		ELX-DG-005349-1	
TOLERANCES UNLESS OTHERWISE SPECIFIED		chr	-	-			rel level		Released	
surface	✓	appr	Pei-Ming Zheng	2011/08/26	product family		10087607		rev	B
	linear				www.fci.com		cat. no.		Product - Customer Drw	
	angular						sheet 3 of 4			

ProjE File - REV C - 2009-06-09



Copyright FCI.

10087607-□□□□

STYLE: MECHANICAL KEYING  
1 : 1.5 VOLT. W/CENTER KEY #1

REVISE  
0

TAIL LENGTH

CODE	DIM. "D"
0	3.30
1	3.70
2	4.20

PLATING

CODE	CONTACT	TAIL AREA	UNDERPLATE	CODE	CONTACT	TAIL AREA	UNDERPLATE
2B	15u"(0.38um) MIN. GOLD	35u"~100u" Tin/Lead PLATING	50u"(1.27um) MIN. NICKEL OVERALL	2LF	15u"(0.38um) MIN. GOLD	35u"~100u" Tin PLATING	50u"(1.27um) MIN. NICKEL OVERALL
3B	30u"(0.76um) MIN. GOLD			3LF	30u"(0.76um) MIN. GOLD		
4B	3u"(0.076um) MIN. GOLD			4LF	3u"(0.076um) MIN. GOLD		
6B	15u"(0.38um) MIN. GOLD (LUBRICATED)	35u"~100u" Tin/Lead PLATING	50u"(1.27um) MIN. NICKEL OVERALL	6LF	15u"(0.38um) MIN. GOLD (Lubricated)	35u"~100i" Tin PLATING	50u"(1.27um) MIN. NICKEL OVERALL
7B	30u"(0.76um) MIN. GOLD (LUBRICATED)			7LF	30u"(0.76um) MIN. GOLD (LUBRICATED)		
8B	3u"(0.076um) MIN. GOLD (LUBRICATED)			8LF	3u"(0.076um) MIN. GOLD (LUBRICATED)		

COLOR OF HOUSING AN EJECTOR

- 0 : BLACK HOUSING + IVORY EJECTOR
- 1 : BLACK HOUSING + AMBER COLOR EJECTOR
- 2 : BLACK HOUSING + BLACK EJECTOR
- 3 : IVORY HOUSING + IVORY EJECTOR
- 4 : BLUE HOUSING + IVORY EJECTOR

NOTE:

1. MATERIAL:  
HOUSING: HIGH PERFORMANCE RESINS, GLASS FILLED UL94V-0 RATED, COLOR: BLACK.  
EJECTOR: HIGH PERFORMANCE RESINS, GLASS FILLED UL94V-0 RATED, COLOR: NATURAL.  
TERMINAL: COPPER ALLOY.
2. FCI LOGO TO BE APPROXIMATELY LOCATED AS SHOWN ON PRINT.
3. PRODUCT SPECIFICATION: GS-12-XXX(SPECIFICATION NOT YET AVAILABLE)
- △ CARD THICKNESS APPLIES ACROSS TABS AND INCLUDES PLATING AND / OR METALIZATION.
- △ LEADING EDGE OF CONTACT PADS SPECIFIED BY THE KEEP OUT ZONE SHALL BE FREE OF BURRS AND EXTERNAL TIE BARS.  
FOR OPTIMUM PERFORMANCE, THE TIE BAR IS TO BE ON AN INTERNAL LAYER SO THAT THE REMNANT CANNOT CAUSE CONTACT DAMAGE.
6. PACKAGING SPECIFICATION: GS-14-528.
- △ ALL PTH SHOULD BE 0.66mm DIA DRILLED AND 0.025mm MIN. ELECTRO-DEPOSITED COPPER THK ON THROUGH HOLE WALLS.
8. THIS PRODUCT MEETS EUROPEAN UNION DIRECTIVES AND OTHER COUNTRY REGULATIONS AS DESCRIBED IN GS-22-008.
9. THE HOUSING WILL WITHSTAND REVERSE TON 200CS PEAK TEMPERATURE FOR 10 SECONDS IN A WAVE SOLDER APPLICATION.
10. THE AMBER EJECTOR CAN WITHSTAND MAX 174 C EXPOSURE TEMPERATURE.

DATE CODE: X X X X X X

surface	linear	YEAR 0.X	±
		DATE 0.XX	±
		MONTH 0.XXX	±
	angular	0°	±y°

eng Rick Bian	2010/07/03	projection 	size A4	scale 0.500
eng Nickor Zuo	2011/08/26			
chr -	-			
appr Pei-Ming Zheng	2011/08/26	product family	rel level	Released



title	DDR III, 240P PRESS-FIT	dwg no	10087607	rev	B
www.fci.com	cat. no.	Product - Customer Drw		sheet 4 of 4	