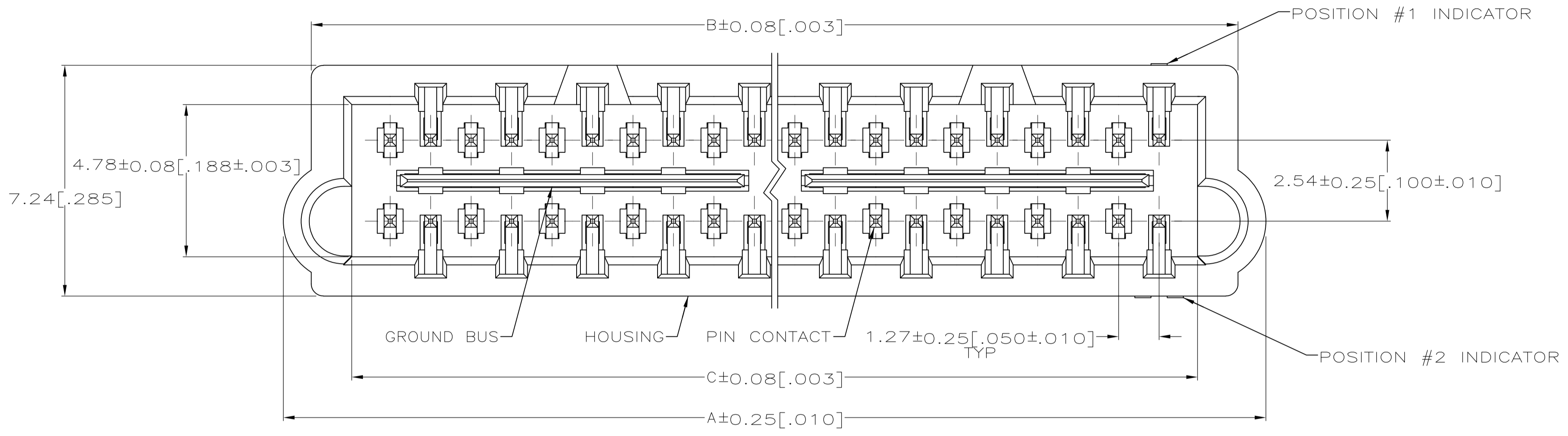
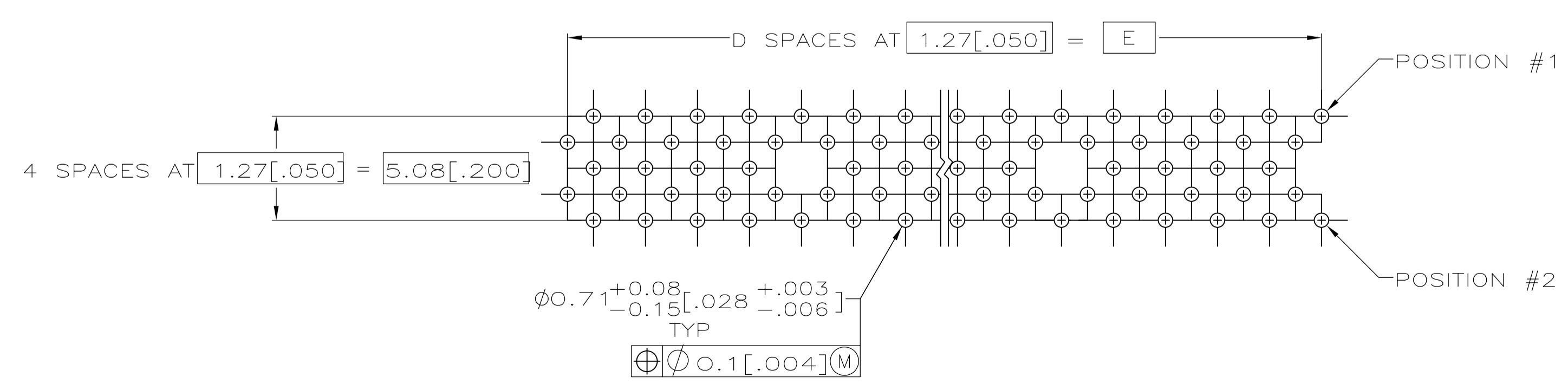
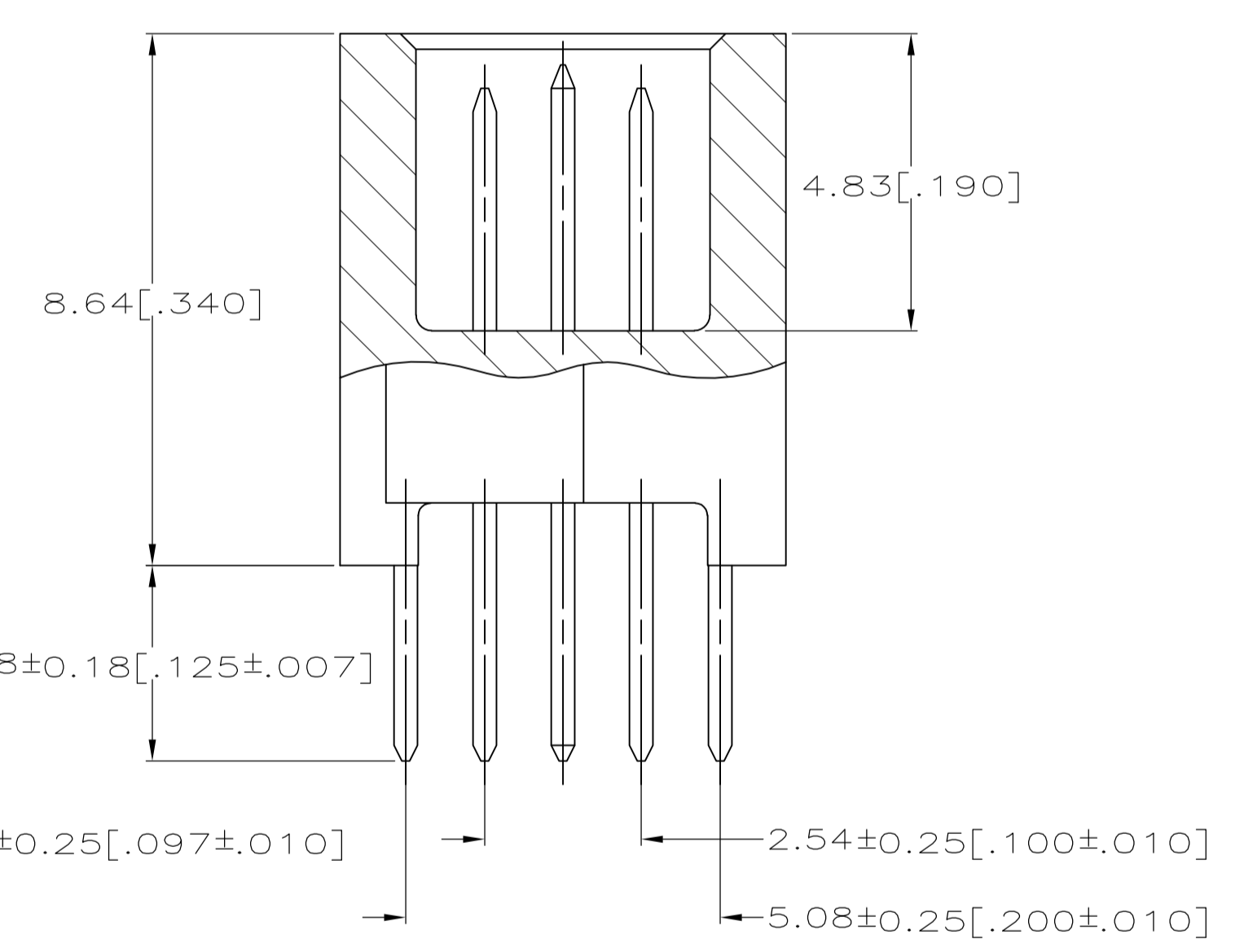
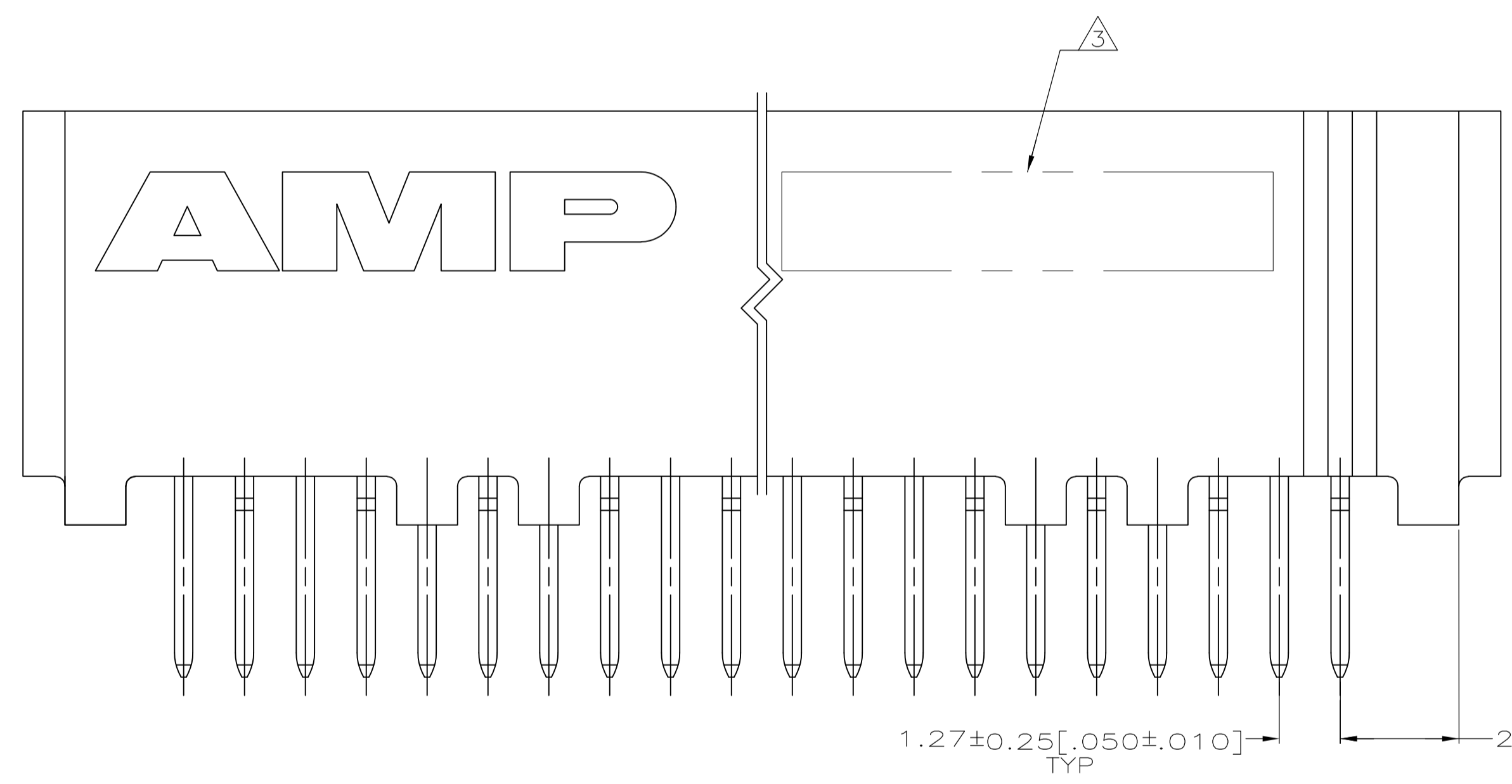


LOC		DIST		REVISIONS			
AD	25	REV	DATE	BY	CHKD	APVD	
N		REVISED PER EC 0512-0553-04	03NOV05	GP	DRD		
N1		REVISED PER ECO-09-021826	08JAN10	KK	AEG		



- 1 HOUSING: HIGH TEMPERATURE THERMOPLASTIC, COLOR NATURAL.
PIN CONTACTS: PHOSPHOR BRONZE.
GROUND BUSES: PHOSPHOR BRONZE.
- 2 PIN CONTACTS: 0.00076[.000030] MIN GOLD IN CONTACT AREA,
0.00254-0.00762[.000100-.000300] TIN-LEAD ON SOLDER TAIL,
ALL OVER 0.00127-0.00254[.000050-.000100] NICKEL ON ENTIRE CONTACT.
- GROUND BUSES: 0.00076[.000030] MIN GOLD IN CONTACT AREA,
0.00254-0.00762[.000100-.000300] TIN-LEAD ON SOLDER TAIL,
ALL OVER 0.00127-0.00254[.000050-.000100] NICKEL ON ENTIRE BUS.
- 3 DATE CODE MARKED IN AREA INDICATED.
- 4 OBSOLETE PARTS: OBSOLETE CIS STREAMLINING PER D.RENAUD/D.SINISI



	E	D	C	B	A	NO OF POS	PART NUMBER
OBSOLETE	151.13[5.950]	119	153.62[6.048]	156.08[6.145]	157.84[6.214]	240	1-536272-1
	138.43[5.450]	109	140.92[5.548]	143.38[5.645]	145.14[5.714]	220	1-536272-0
	125.73[4.950]	99	128.22[5.048]	130.68[5.145]	132.44[5.214]	200	536272-9
4 SUPERSEDED BY 5536272-8	113.03[4.450]	89	115.52[4.548]	117.98[4.645]	119.74[4.714]	180	536272-8
4 SUPERSEDED BY 5536272-7	100.33[3.950]	79	102.82[4.048]	105.28[4.145]	107.04[4.214]	160	536272-7
	87.63[3.450]	69	90.12[3.548]	92.58[3.645]	94.34[3.714]	140	536272-6
OBSOLETE	74.93[2.950]	59	77.42[3.048]	79.88[3.145]	81.64[3.214]	120	536272-5
	62.23[2.450]	49	64.72[2.548]	67.18[2.645]	68.94[2.714]	100	536272-4
OBSOLETE	49.53[1.950]	39	52.02[2.048]	54.48[2.145]	56.24[2.214]	80	536272-3
	36.83[1.450]	29	39.32[1.548]	41.78[1.645]	43.54[1.714]	60	536272-2
OBSOLETE	24.13[.950]	19	26.62[1.048]	29.08[1.145]	30.84[1.214]	40	536272-1

THIS DRAWING IS A CONTROLLED DOCUMENT.

DIMENSIONS: INCHES	TOLERANCES UNLESS OTHERWISE SPECIFIED:	APPROVED: J. GERACE	DATE: 12FEB92	TYCO ELECTRONICS CORPORATION
0. PLC ± -	1. PLC ± -	DESIGNED: J. GERACE	DATE: 12FEB92	HARRISBURG, PA 17105-3608
2. PLC ± -	3. PLC ± ± 0.13 [.005]	PRODUCT SPEC: C. LINDGREN	NAME: C. LINDGREN	PLUG ASSEMBLY, 10.92[.430] STACK, 3.18[.125] TAIL, BOARD TO BOARD, MICRO-STRIP
4. PLC ± -	ANGLES ± -	APPLICATION SPEC: 108-1272	SIZE: A1	114-11005
MATERIAL: 1	FINISH: 2	WEIGHT: -	CAGE CODE: 00779	DRAWING NO: 536272
CUSTOMER DRAWING		SCALE: 10:1	SHEET: 1 OF 1	REV: N1