

AS5043

Programmable 360° Magnetic Angle Encoder with Absolute SSI and Analog Outputs

General Description

The AS5043 is a contactless magnetic angle encoder for accurate measurement up to 360°.

It is a system-on-chip, combining integrated Hall elements, analog front end and digital signal processing in a single device.

The AS5043 provides a digital 10-bit as well as a programmable analog output that is directly proportional to the angle of a magnet, rotating over the chip.

The analog output can be configured in many ways, including user programmable angular range, adjustable output voltage range, voltage or current output, etc...

An internal voltage regulator allows operation of the AS5043 from 3.3V or 5.0V supplies.

[Ordering Information](#) and [Content Guide](#) appear at end of datasheet.

Key Benefits & Features

The benefits and features of AS5043, Programmable 360° Magnetic Angle Encoder with Absolute SSI and Analog Outputs are listed below:

Figure 1:
Added Value of Using AS5043

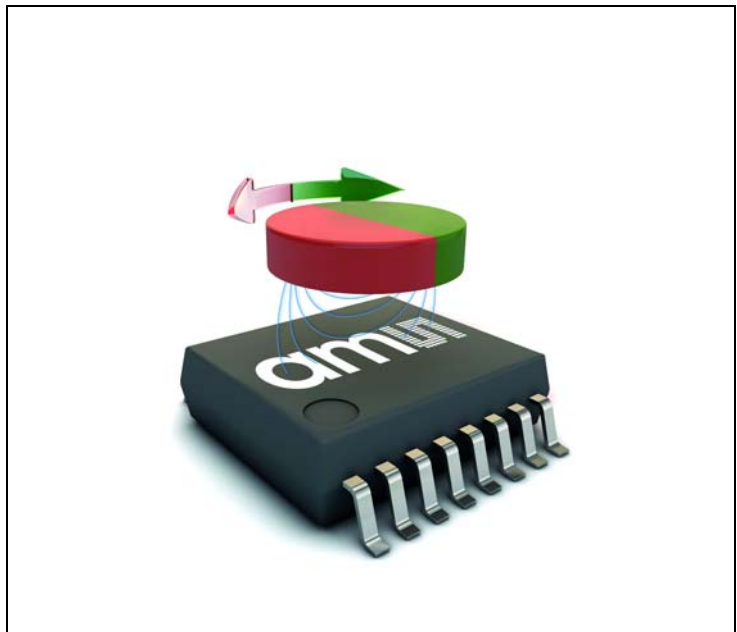
Benefits	Features
<ul style="list-style-type: none"> Highest reliability and durability 	<ul style="list-style-type: none"> Contactless high resolution rotational position encoding over a full turn of 360 degrees
<ul style="list-style-type: none"> Simple programming 	<ul style="list-style-type: none"> Simple user-programmable zero position
<ul style="list-style-type: none"> Multiple interfaces 	<ul style="list-style-type: none"> Serial communication interface (SSI) Programmable 10-bit analog output
<ul style="list-style-type: none"> Ideal for robotic and motor applications 	<ul style="list-style-type: none"> Input mode for optimizing noise vs. speed
<ul style="list-style-type: none"> Failure diagnostics 	<ul style="list-style-type: none"> Failure detection mode for magnet placement monitoring and loss of power supply
<ul style="list-style-type: none"> Easy setup 	<ul style="list-style-type: none"> Serial read-out of multiple interconnected AS5043 devices using Daisy Chain mode
<ul style="list-style-type: none"> Small form factor 	<ul style="list-style-type: none"> SSOP 16 (5.3mm x 6.2mm)
<ul style="list-style-type: none"> Robust environmental tolerance 	<ul style="list-style-type: none"> Wide temperature range: -40°C to 125°C

Applications

AS5043, Programmable 360° Magnetic Angle Encoder with Absolute SSI and Analog Outputs is ideal for applications with an angular travel range from a few degrees up to a full turn of 360°, such as:

- Industrial applications:
 - Contactless rotary position sensing
 - Robotics
 - Valve controls
- Automotive applications:
 - Throttle position sensors
 - Gas/brake pedal position sensing
 - Headlight position control
- Front panel rotary switches
- Replacement of potentiometers

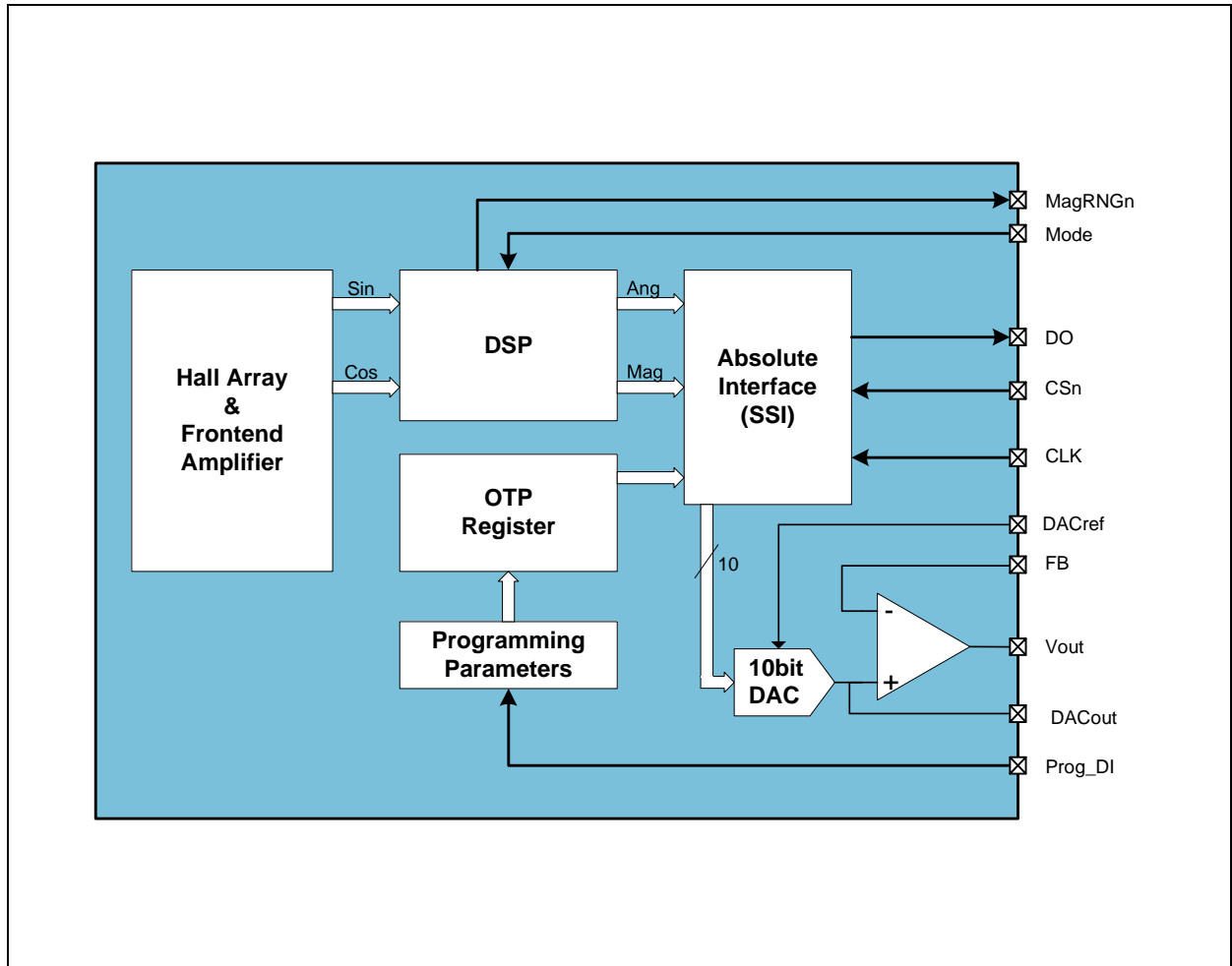
Figure 2:
Typical Arrangement of AS5043 and Magnet



Block Diagram

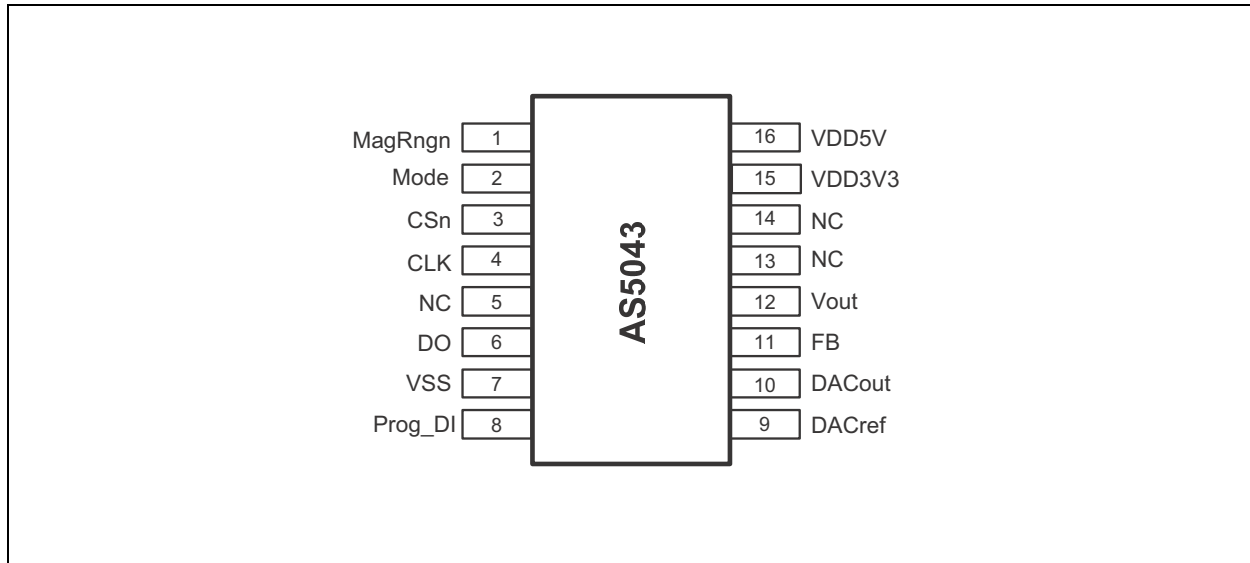
The functional blocks of this device are shown below:

Figure 3:
AS5043 Block Diagram



Pin Assignment

Figure 4:
AS5043 Pin Configuration SSOP16



Package = SSOP16 (16 lead Shrink Small Outline Package)

Figure 5:
Pin Description SSOP16

Pin	Symbol	Type	Description
1	MagRngn	DO_OD	Magnet Field Ma gnitude Ra NGe warning; active low, indicates that the magnetic field strength is outside of the recommended limits.
2	Mode	DI_PD, ST	Mode input. Select between low noise (low, connect to VSS) and high speed (high, connect to VDD5V) mode at power up. Internal pull-down resistor.
3	CSn	DI_PU, ST	Chip Select , active low; Schmitt-Trigger input, internal pull-up resistor (~50kΩ)
4	CLK	DI,ST	Clock Input of Synchronous Serial Interface; Schmitt-Trigger input
5	NC	-	Must be left unconnected
6	DO	DO_T	Data Output of Synchronous Serial Interface
7	VSS	S	Negative Supply Voltage (GND)
8	Prog_DI	DI_PD	OTP Programming Input and Data Input for Daisy Chain mode. Internal pull-down resistor (~74kΩ). Should be connected to VSS if programming is not used
9	DACref	AI	DAC Reference voltage input for external reference
10	DACout	AO	DAC output (unbuffered, Ri ~8kΩ)
11	FB	AI	Feedback , OPAMP inverting input

Pin	Symbol	Type	Description
12	Vout	AO	OPAMP output
13	NC	-	Must be left unconnected
14	NC	-	Must be left unconnected
15	VDD3V3	S	3V-Regulator Output for internal core, regulated from VDD5V. Connect to VDD5V for 3V supply voltage. Do not load externally.
16	VDD5V	S	Positive Supply Voltage, 3.0 to 5.5 V

Abbreviations for Pin Types in [Figure 5](#):

DO_OD	: Digital output open drain
DI_PD	: Digital input pull-down
DI_PU	: Digital input pull-up
S	: Supply pin
DO_T	: Digital output /tri-state
ST	: Schmitt-Trigger input
AI	: Analog input
AO	: Analog output
D1	: Digital input

Pin Description

Pins 7, 15 and 16 are supply pins, pins **5, 13 and 14** are for internal use and must be left open.

Pin 1 is the magnetic field strength indicator, **MagRNGn**. It is an open-drain output that is pulled to VSS when the magnetic field is out of the recommended range (45mT to 75mT). The chip will still continue to operate, but with reduced performance, when the magnetic field is out of range. When this pin is low, the analog output at pins #10 and #12 will be 0V to indicate the out-of-range condition.

Pin 2 MODE allows switching between filtered (slow) and unfiltered (fast mode). This pin must be tied to VSS or VDD5V, and must not be switched after power up.

Pin 3 Chip Select (**CSn**; active low) selects a device for serial data transmission over the SSI interface. A “logic high” at CSn forces output DO to digital tri-state.

Pin 4 CLK is the clock input for serial data transmission over the SSI interface.

Pin 6 DO (Data Out) is the serial data output during data transmission over the SSI interface.

Pin 8 PROG_DI is used to program the different operation modes, as well as the zero-position in the OTP register.

This pin is also used as a digital input to shift serial data through the device in [Daisy Chain Mode](#).

Pin 9 DACref is the external voltage reference input for the Digital-to-Analog Converter (DAC). If selected, the analog output voltage on pin 12 (V_{out}) will be ratiometric to the voltage on this pin.

Pin10 DACout is the unbuffered output of the DAC. This pin may be used to connect an external OPAMP, etc. to the DAC.

Pin 11 FB (Feedback) is the inverting input of the OPAMP buffer stage.

Access to this pin allows various OPAMP configurations.

Pin 12 Vout is the analog output pin. The analog output is a DC voltage, ratiometric to VDD5V (3.0 – 5.5V) or an external voltage source and proportional to the angle.

Absolute Maximum Ratings

Stresses beyond those listed in [Absolute Maximum Ratings](#) may cause permanent damage to the device. These are stress ratings only. Functional operation of the device at these or any other conditions beyond those indicated in [Operating Conditions](#) is not implied. Exposure to absolute maximum rating conditions for extended periods may affect device reliability.

Figure 6:
Absolute Maximum Ratings

Symbol	Parameter	Min	Max	Units	Note
VDD5V	DC supply voltage at pin VDD5V	-0.3	7	V	Pin VDD5V
VDD3V3			5	V	Pin VDD3V3
V _{in}	Input pin voltage	-0.3	VDD5V +0.3	V	Pins MagRngn, Mode, CSn, CLK, DO, DACout, FB, Vout
		-0.3	5		Pin DACref
		-0.3	7.5		Pin PROG_DI
I _{scr}	Input current (latchup immunity)	-100	100	mA	Norm: JEDEC 78
ESD	Electrostatic discharge	±2		kV	Norm: MIL 883 E method 3015
T _{strg}	Storage temperature	-55	125	°C	Min – 67°F; Max 257°F
T _{Body}	Body temperature		260	°C	t=20 to 40s, Norm: IPC/JEDEC J-Std-020C Lead finish 100% Sn “matte tin”
RH _{NC}	Relative humidity (non condensing)	5	85	%	
MSL	Moisture sensitivity level	3			Maximum floor life time of 168h

Electrical Characteristics

Operating Conditions

Figure 7:
Operating Conditions

Symbol	Parameter	Min	Typ	Max	Unit	Note
T_{amb}	Ambient temperature	-40		125	°C	-40°F to 257°F
I_{supp}	Supply current		16	21	mA	
VDD5V	Supply voltage at pin VDD5V	4.5	5.0	5.5	V	5V operation
VDD3V3	Voltage regulator output voltage at pin VDD3V3	3.0	3.3	3.6	V	
VDD5V	Supply voltage at pin VDD5V	3.0	3.3	3.6	V	3.3V operation (pins VDD5V and VDD3V3 connected)
VDD3V3	Supply voltage at pin VDD3V3	3.0	3.3	3.6	V	

DC Characteristics for Digital Inputs and Outputs

CMOS Schmitt-Trigger Inputs: CLK, CSn (Internal Pull-Up), Mode (Internal Pull-Down)

(operating conditions: $T_{amb} = -40^{\circ}\text{C}$ to 125°C , VDD5V = 3.0V to 3.6V (3V operation) VDD5V = 4.5V to 5.5V (5V operation) unless otherwise noted)

Figure 8:
CMOS Schmitt-Trigger Inputs: CLK, CSn (CSn = Internal Pull-Up), Mode (Internal Pull-Down)

Symbol	Parameter	Min	Max	Unit	Note
V_{IH}	High level input voltage	$0.7 * VDD5V$		V	Normal operation
V_{IL}	Low level input voltage		$0.3 * VDD5V$	V	
$V_{IOn}-V_{Ioff}$	Schmitt Trigger hysteresis	1		V	
I_{LEAK}	Input leakage current	-1	1	μA	Pin CLK, VDD5V = 5.0V
I_{iL}	Pull-up low level input current				Pin CSn, VDD5V = 5.0V
I_{iH}	Pull-down high level input current	-30 30	-100 100		Pin Mode, VDD5V = 5.0V

CMOS Input: Program Input (Prog)

(operating conditions: $T_{amb} = -40^{\circ}\text{C}$ to 125°C , $V_{DD5V} = 3.0\text{V}$ to 3.6V (3V operation) $V_{DD5V} = 4.5\text{V}$ to 5.5V (5V operation) unless otherwise noted)

Figure 9:
CMOS Input: Program Input (Prog)

Symbol	Parameter	Min	Max	Unit	Note
V_{IH}	High level input voltage	$0.7 * V_{DD5V}$	5	V	
V_{PROG}	High level input voltage	See Programming Conditions		V	During programming
V_{IL}	Low level input voltage		$0.3 * V_{DD5V}$	V	
I_{iL}	Pull-down high level input current		100	μA	$V_{DD5V}: 5.5\text{V}$

CMOS Output Open Drain: MagRngn

(operating conditions: $T_{amb} = -40^{\circ}\text{C}$ to 125°C , $V_{DD5V} = 3.0\text{V}$ to 3.6V (3V operation) $V_{DD5V} = 4.5\text{V}$ to 5.5V (5V operation) unless otherwise noted).

Figure 10:
CMOS Output Open Drain: MagRngn

Symbol	Parameter	Min	Max	Unit	Note
V_{OL}	Low level output voltage		$V_{SS}+0.4$	V	
I_O	Output current		4 2	mA	$V_{DD5V}: 4.5\text{V}$ $V_{DD5V}: 3\text{V}$
I_{OZ}	Open drain leakage current		1	μA	

Tristate CMOS Output: DO

(operating conditions: $T_{amb} = -40^{\circ}\text{C}$ to 125°C , $V_{DD5V} = 3.0\text{V}$ to 3.6V (3V operation) $V_{DD5V} = 4.5\text{V}$ to 5.5V (5V operation) unless otherwise noted).

Figure 11:
Tristate CMOS Output: DO

Symbol	Parameter	Min	Max	Unit	Note
V_{OH}	High level output voltage	$V_{DD5V}-0.5$		V	
V_{OL}	Low level output voltage		$V_{SS}+0.4$	V	
I_O	Output current		4 2	mA	$V_{DD5V}: 4.5\text{V}$ $V_{DD5V}: 3\text{V}$
I_{OZ}	Tri-state leakage current		1	μA	

Digital-to-Analog Converter

Figure 12:
Digital-to-Analog Converter

Symbol	Parameter	Min	Typ	Max	Unit	Note	OTP Setting
	Resolution		10		bit		
V_{OUTM1}	Output range	0		V_{ref}	V	0 ... 100% V_{ref} (default)	ClampMdEn = 0 (default)
V_{OUTM2}		0.10 * V_{ref}		0.90 * V_{ref}	V	10 ... 90% V_{ref}	ClampMdEn = 1
$R_{Out,DAC}$	Output resistance			8	$k\Omega$	Unbuffered Pin DACout (#10)	
V_{ref}	DAC reference voltage (DAC full scale range)	0.2		$V_{DD3V3} - 0.2$	V	DAC reference = external: Pin: DACref (#9)	RefExt EN = 1
				$V_{DD5V} / 2$	V	DAC reference = internal	RefExtEn = 0 (default)
INL_{DAC}	Integral non-linearity			± 1.5	LSB	Non-Linearity of DAC and OPAMP; -40°C to 125°C , for all analog modes: $1\text{LSB} = V_{ref} / 1024$	
DNL_{DAC}	Differential non-linearity			± 0.5	LSB		
Hyst	Analog output hysteresis			1	LSB	All analog modes	
				2	LSB	At $360^{\circ}-0^{\circ}$ transition, 360° mode only	OR1,OR0 = 00 (default)

OPAMP Output Stage

Figure 13:
OPAMP Output Stage

Symbol	Parameter	Min	Typ	Max	Unit	Note
VDD5V	Power Supply Range	3.0		5.5	V	
CL	Parallel Load Capacitance			100	pF	
RL	Parallel Load Resistance	4.7			k Ω	3.3V operation
A0	Open Loop Gain	92	130	144	dB	
VosOP	Offset Voltage RTI	-5		5	mV	3 sigma
VoutL	Output Range Low			0.05 * VDD5V	V	Linear range of analog output
VoutH	Output Range High	0.95 * VDD5V			V	
Isink	Current capability sink	4.8		50	mA	Permanent short circuit current: V _{out} to VDD5V
Isource	Current capability source	4.6		66	mA	Permanent short circuit current: V _{out} to VSS
V _{noise}	Output noise	160	220	490	μ Vrms	Over full temperature range; BW= 1Hz ... 10MHz, Gain = 2x
Gain	OPAMP gain (non-inverting)		2			Internal; OTP: FB_int EN = 1
		1		4		External OTP: FB_int EN = 0 (default) With external resistors, pins Vout [#12] and FB [#11]: see Figure 33

Magnetic Input Specification

(operating conditions: $T_{amb} = -40^{\circ}\text{C}$ to 125°C , $VDD5V = 3.0\text{V}$ to 3.6V (3V operation) $VDD5V = 4.5\text{V}$ to 5.5V (5V operation) unless otherwise noted).

Two-pole cylindrical diametrically magnetized source:

Figure 14:
Magnetic Input Specification

Symbol	Parameter	Min	Typ	Max	Unit	Note
d_{mag}	Diameter	4	6		mm	Recommended magnet: $\varnothing 6\text{mm} \times 2.5\text{mm}$ for cylindrical magnets
t_{mag}	Thickness	2.5			mm	
B_{pk}	Magnetic input field amplitude	45		75	mT	Required vertical component of the magnetic field strength on the die's surface, measured along a concentric circle with a radius of 1.1 mm
B_{off}	Magnetic offset			± 10	mT	Constant magnetic stray field
	Field non-linearity			5	%	Including offset gradient
f_{mag_abs}	Input frequency (rotational speed of magnet)			10	Hz	Absolute mode: 600 rpm @ readout of 1024 positions (see Figure 48)
f_{mag_inc}				166	Hz	Incremental mode: no missing pulses at rotational speeds of up to 10,000 rpm (see Figure 48)
Disp	Displacement radius			0.25	mm	Max. offset between defined device center and magnet axis
	Recommended magnet material and temperature drift		-0.12		% / K	NdFeB (Neodymium Iron Boron)
			-0.035			SmCo (Samarium Cobalt)

Electrical System Specifications

(operating conditions: $T_{amb} = -40^{\circ}\text{C}$ to 125°C , $V_{DD5V} = 3.0\text{V}$ to 3.6V (3V operation) $V_{DD5V} = 4.5\text{V}$ to 5.5V (5V operation) unless otherwise noted).

Figure 15:
Electrical System Specifications

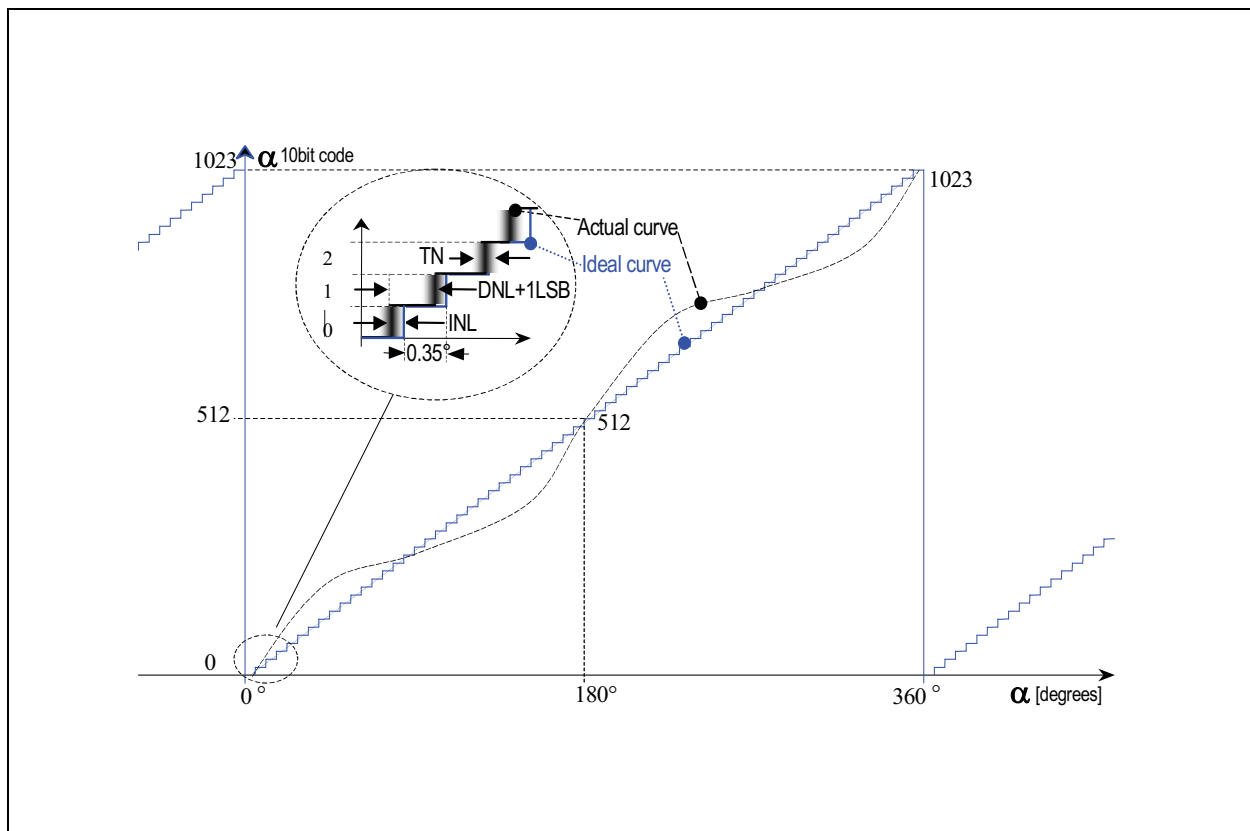
Symbol	Parameter	Min	Typ	Max	Unit	Note
RES	Resolution ⁽¹⁾			10	bit	0.352 deg
INL_{opt}	Integral non-linearity (optimum) ⁽¹⁾			± 0.5	deg	Maximum error with respect to the best line fit. Verified at optimum magnet placement, $T_{amb} = 25^{\circ}\text{C}$.
INL_{temp}	Integral non-linearity (optimum) ⁽¹⁾			± 0.9	deg	Maximum error with respect to the best line fit. Verified at optimum magnet placement, $T_{amb} = -40^{\circ}\text{C}$ to 125°C
INL	Integral non-linearity ⁽¹⁾			± 1.4	deg	Best line fit = $(Err_{max} - Err_{min}) / 2$ Over displacement tolerance with 6mm diameter magnet, $T_{amb} = -40^{\circ}\text{C}$ to 125°C
DNL	Differential non-linearity ⁽¹⁾			± 0.176	deg	10bit, no missing codes
TN	Transition noise ⁽¹⁾			0.06	deg RMS	1 sigma, fast mode (pin MODE = 1)
				0.03		1 sigma, slow mode (pin MODE=0 or open)
V_{on}	Power-ON reset threshold ON voltage; 300mV typ. hysteresis	1.37	2.2	2.9	V	DC supply voltage 3.3V (VDD3V3)
V_{off}	Power-ON reset threshold OFF voltage; 300mV typ. hysteresis	1.08	1.9	2.6	V	DC supply voltage 3.3V (VDD3V3)
t_{PwrUp}	Power-up time, Until offset compensation finished, OCF = 1, Angular Data valid			20	ms	Fast mode (pin MODE=1)
				80		Slow mode (pin MODE=0 or open)
t_{delay}	System propagation delay absolute output : delay of ADC and DSP			96	μs	Fast mode (pin MODE=1)
				384		Slow mode (pin MODE=0 or open)

Symbol	Parameter	Min	Typ	Max	Unit	Note
$f_{S, mode 0}$	Internal sampling rate for absolute output	2.48	2.61	2.74	kHz	$T_{amb} = 25^{\circ}C$, slow mode (pin MODE = 0 or open)
		2.35	2.61	2.87		$T_{amb} = -40$ to $125^{\circ}C$, slow mode (pin MODE = 0 or open)
$f_{S, mode 1}$	Internal sampling rate for absolute output	9.90	10.4 2	10.94	kHz	$T_{amb} = 25^{\circ}C$, fast mode (pin MODE = 1)
		9.38	10.4 2	11.46		$T_{amb} = -40$ to $125^{\circ}C$, fast mode (pin MODE = 1)
CLK	Read-out frequency	>0		1	MHz	Max. clock frequency to read out serial data

Note(s) and/or Footnote(s):

1. Digital interface

Figure 16:
Integral and Differential Non-Linearity Example (exaggerated curve)



Integral Non-Linearity (INL) is the maximum deviation between actual position and indicated position.

Differential Non-Linearity (DNL) is the maximum deviation of the step length from one position to the next.

Transition Noise (TN) is the repeatability of an indicated position.

Timing Characteristics

Synchronous Serial Interface (SSI)

(operating conditions: $T_{amb} = -40^{\circ}\text{C}$ to 125°C , $V_{DD5V} = 3.0\text{V}$ to 3.6V (3V operation) $V_{DD5V} = 4.5\text{V}$ to 5.5V (5V operation) unless otherwise noted).

Figure 17:
Synchronous Serial Interface (SSI)

Symbol	Parameter	Min	Typ	Max	Unit	Note
$t_{DO\ active}$	Data output activated (logic high)			100	ns	Time between falling edge of CSn and data output activated
$t_{CLK\ FE}$	First data shifted to output register	500			ns	Time between falling edge of CSn and first falling edge of CLK
$T_{CLK/2}$	Start of data output	500			ns	Rising edge of CLK shifts out one bit at a time
$t_{DO\ valid}$	Data output valid			413	ns	Time between rising edge of CLK and data output valid
$t_{DO\ tristate}$	Data output tristate			100	ns	After the last bit DO changes back to "tristate"
t_{CSn}	Pulse width of CSn	500			ns	CSn = high; To initiate read-out of next angular position
f_{CLK}	Read-out frequency	>0		1	MHz	Clock frequency to read out serial data

Programming Conditions

(operating conditions: $T_{amb} = -40^{\circ}\text{C}$ to 125°C , $V_{DD5V} = 3.0\text{V}$ to 3.6V (3V operation) $V_{DD5V} = 4.5\text{V}$ to 5.5V (5V operation) unless otherwise noted).

Figure 18:
Programming Conditions

Symbol	Parameter	Min	Typ	Max	Unit	Note
$t_{\text{Prog enable}}$	Programming enable time	2			μs	Time between rising edge at Prog pin and rising edge of CSn
$t_{\text{Data in}}$	Write data start	2			μs	
$t_{\text{Data in valid}}$	Write data valid	250			ns	Write data at the rising edge of CLK_{PROG}
$t_{\text{Load PROG}}$	Load programming data	3			μs	
t_{PrgR}	Rise time of V_{PROG} before CLK_{PROG}	0			μs	
t_{PrgH}	Hold time of V_{PROG} after CLK_{PROG}	0		5	μs	
CLK_{PROG}	Write data – programming CLK_{PROG}			250	kHz	
t_{PROG}	CLK pulse width	1.8	2	2.2	μs	During programming; 16 clock cycles
$t_{\text{PROG finished}}$	Hold time of V_{PROG} after programming	2			μs	Programmed data is available after next power-on
V_{PROG}	Programming voltage	7.3	7.4	7.5	V	Must be switched OFF after zapping
V_{ProgOff}	Programming voltage OFF level	0		1	V	Line must be discharged to this level
I_{PROG}	Programming current			130	mA	During programming
$\text{CLK}_{\text{Aread}}$	Analog read CLK			100	kHz	Analog readback mode
$V_{\text{programmed}}$	Programmed Zener voltage (log.1)			100	mV	$V_{\text{Ref}} - V_{\text{PROG}}$ during analog readback mode (see Analog Readback Mode)
$V_{\text{unprogrammed}}$	Unprogrammed Zener voltage (log. 0)	1			V	

Functional Description

The AS5043 is manufactured in a CMOS standard process and uses a spinning current Hall technology for sensing the magnetic field distribution across the surface of the chip.

The integrated Hall elements are placed in a circle around the center of the device and deliver a voltage representation of the magnetic field perpendicular to the surface of the IC.

Through Sigma-Delta Analog / Digital Conversion and Digital Signal-Processing (DSP) algorithms, the AS5043 provides accurate high-resolution absolute angular position information. For this purpose a Coordinate Rotation Digital Computer (CORDIC) calculates the angle and the magnitude of the Hall array signals.

The DSP is also used indicate movements of the magnet towards or away from the chip and to indicate, when the magnetic field is outside of the recommended range (status bits = MagInc, MagDec; hardware pin = MagRngn).

A small low cost diametrically magnetized (two-pole) standard magnet, centered over the chip, is used as the input device.

The AS5043 senses the orientation of the magnetic field and calculates a 10-bit binary code. This code can be accessed via a Synchronous Serial Interface (SSI). In addition, the absolute angular representation is converted to an analog signal, ratiometric to the supply voltage.

The analog output can be configured in many ways, such as 360°/180°/90° or 45° angular range, external or internal DAC reference voltage, 0-100%*VDD or 10-90% *VDD analog output range, external or internal amplifier gain setting.

The various output modes as well as a user programmable zero position can be programmed in an OTP register. As long as no programming voltage is applied to pin PROG, the new setting may be overwritten at any time and will be reset to default when power is cycled. To make the setting permanent, the OTP register must be programmed by applying a programming voltage.

The AS5043 is tolerant to magnet misalignment and unwanted external magnetic fields due to differential measurement technique and Hall sensor conditioning circuitry.

It is also tolerant to airgap and temperature variations due to Sin-/Cos- signal evaluation.

3.3V / 5V Operation

The AS5043 operates either at $3.3V \pm 10\%$ or at $5V \pm 10\%$. This is made possible by an internal 3.3V Low-Dropout (LDO) Voltage regulator. The core supply voltage is always taken from the LDO output, as the internal blocks are always operating at 3.3V.

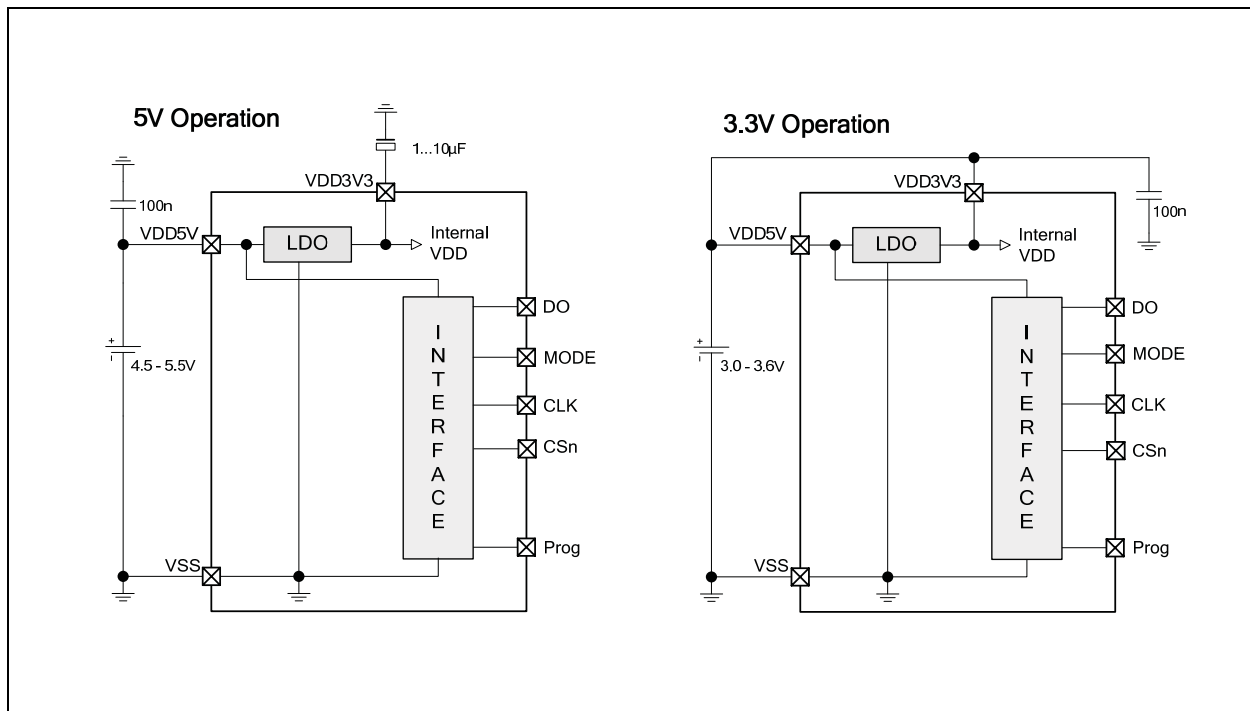
For 3.3V operation, the LDO must be bypassed by connecting VDD3V3 with VDD5V (see Figure 19).

For 5V operation, the 5V supply is connected to pin VDD5V, while VDD3V3 (LDO output) must be buffered by a 1 to $10\mu\text{F}$ capacitor, which should be placed close to the supply pin.

The VDD3V3 output is intended for internal use only. It should not be loaded with an external load.

The voltage levels of the digital interface I/O's correspond to the voltage at pin VDD5V, as the I/O buffers are supplied from this pin (see Figure 19).

Figure 19:
Connections for 5V / 3.3V Supply Voltages



A buffer capacitor of 100nF is recommended in both cases close to pin VDD5V. Note that pin VDD3V3 must always be buffered by a capacitor. It must not be left floating, as this may cause an instable internal 3.3V supply voltage which may lead to larger than normal jitter of the measured angle.

10-Bit Absolute Synchronous Serial Interface (SSI)

The serial data transmission timing is outlined in [Figure 21](#): if CSn changes to logic low, Data Out (DO) will change from high impedance (tri-state) to logic high and the read-out sequence will be initiated. After a minimum time t_{CLKFE} , data is latched into the output shift register with the first falling edge of CLK.

Each subsequent rising CLK edge shifts out one bit of data. The serial word contains 16 bits, the first 10 bits are the angular information D[9:0], the subsequent 6 bits contain system information, about the validity of data such as OCF, COF, LIN, Parity and Magnetic Field status (increase / decrease / out of range).

A subsequent measurement is initiated by a logic “high” pulse at CSn with a minimum duration of t_{CSn} . Data transmission may be terminated at any time by pulling CSn = high.

Serial Data Contents

D9:D0 absolute angular position data (MSB is clocked out first).

OCF (Offset Compensation Finished), logic high indicates that the Offset Compensation Algorithm has finished and data is valid.

COF (CORDIC Overflow), logic high indicates an out of range error in the CORDIC part. When this bit is set, the data at D9:D0 is invalid. The absolute output maintains the last valid angular value. This alarm may be resolved by bringing the magnet within the X-Y-Z tolerance limits.

LIN (Linearity Alarm), logic high indicates that the input field generates a critical output linearity. When this bit is set, the data at D9:D0 may still be used, but may contain invalid data. This warning may be resolved by bringing the magnet within the X-Y-Z tolerance limits.

Data D9:D0 is valid, when the status bits have the following configurations:

Figure 20:
Status Bit Outputs

OCF	COF	LIN	Mag INC	Mag DEC	Parity
1	0	0	0	0	Even checksum of bits 1:15
			0	1	
			1	0	

MagInc, (**M**agnitude **I**ncrease) becomes HIGH, when the magnet is pushed towards the IC, thus the magnetic field strength is increasing.

MagDec, (**M**agnitude **D**ecrease) becomes HIGH, when the magnet is pulled away from the IC, thus the magnetic field strength is decreasing.

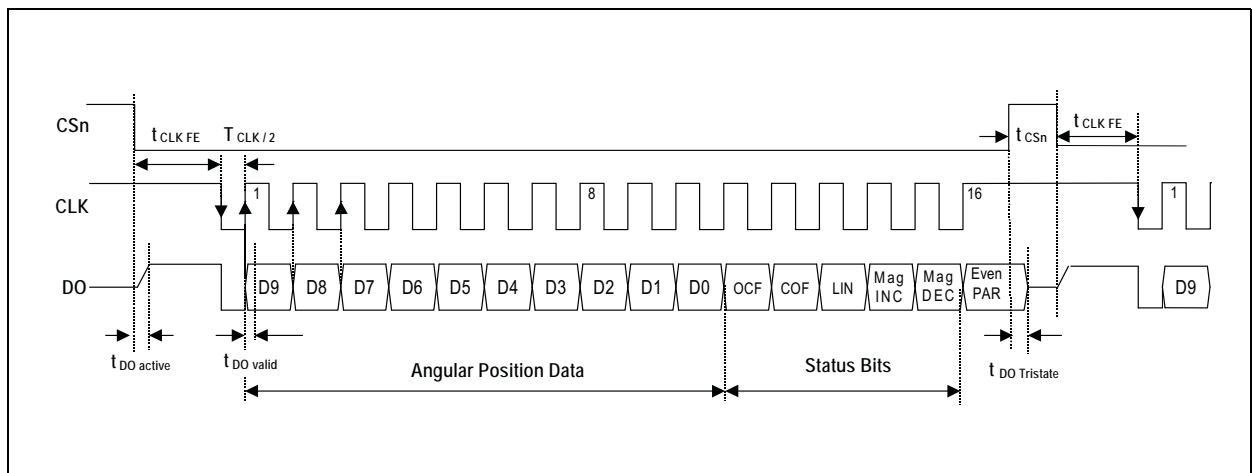
Both signals HIGH indicate a magnetic field that is out of the allowed range (see Figure 22).

Note(s): Pin 1 (MagRngn) is a combination of MagInc and MagDec. It is active low via an open drain output and requires an external pull-up resistor. If the magnetic field is in range, this output is turned OFF. (logic “high”).

Even Parity bit for transmission error detection of bits 1 ... 15 (D9 ... D0, OCF, COF, LIN, MagInc, MagDec)

The absolute angular output is always set to a resolution of 10 bit / 360°. Placing the magnet above the chip, angular values increase in clockwise direction by default.

Figure 21:
Synchronous Serial Interface with Absolute Angular Position Data



Z-Axis Range Indication (Push Button Feature, Red/Yellow/Green Indicator)

The AS5043 provides several options of detecting movement and distance of the magnet in the vertical (Z-) direction. Signal indicators MagINC, MagDEC and LIN are available as status bits in the serial data stream, while MagRngn is an open-drain output that indicates an out-of range status (On in YELLOW or RED range). Additionally, the analog output provides a safety feature in the form that it will be turned OFF when the magnetic field is too strong or too weak (RED range). The serial data is always available, the red/yellow/green status is indicated by the status bits as shown below:

Figure 22:
Magnetic Field Strength Indicators

SSI Status Bits			Hardware Pins		Description
Mag INC	Mag DEC	LIN	Mag Rngn	Analog Output	
0	0	0	OFF	Enabled	No distance change Magnetic Input Field OK (GREEN range, ~45 ...75mT)
0	1	0	OFF	Enabled	Distance increase, GREEN range; Pull-function. This state is dynamic and only active while the magnet is moving away from the chip.
1	0	0	OFF	Enabled	Distance decrease, GREEN range; Push- function. This state is dynamic and only active while the magnet is moving towards the chip.
1	1	0	ON	Enabled	YELLOW Range: Magnetic field is ~ 25 ...45mT or ~75 ...135mT. The AS5043 may still be operated in this range, but with slightly reduced accuracy.
1	1	1	ON	Disabled	RED Range: Magnetic field is ~<25mT or >~135mT. The analog output will be turned OFF in this range by default. It can be enabled permanently by OTP programming (see Diagnostic Output Mode). It is still possible to use the absolute serial interface in the red range, but not recommended.

Mode Input Pin

The absolute angular position is sampled at a rate of 10.4kHz (t=96µs) in fast mode and at a rate of 2.6kHz (t=384µs) in slow mode.

These modes are selected by pin MODE (#2) during the power up of the AS5043. This pin activates or deactivates an internal filter, which is used to reduce the digital jitter and consequently the analog output noise.

Activating the filter by pulling Mode = LOW reduces the transition noise to <0.03° rms. At the same time, the sampling rate is reduced to 2.6kHz and the signal propagation delay is increased to 384µs. This mode is recommended for high precision, low speed and ≤360° applications.

Deactivating the filter by setting Mode = HIGH increases the sampling rate to 10.4kHz and reduces the signal propagation delay to 96µs. The transition noise will increase to <0.06° rms. This mode is recommended for higher speed and full scale= 360° applications.

Switching the MODE pin affects the following parameters:

Figure 23:
Mode Pin Settings

Parameter	Slow Mode (Pin MODE = 0)	Fast Mode (Pin MODE = 1)
Sampling rate	2.61 kHz (383µs)	10.42 kHz (95.9µs)
Transition noise (1 sigma)	≤ 0.03° rms	≤ 0.06° rms
Propagation delay	384µs	96µs
Startup time	20ms	80ms

The MODE pin should be set at power-up. A change of the mode during operation is not allowed.

Daisy Chain Mode

The Daisy Chain mode allows connection of several AS5043's in series, while still keeping just one digital input for data transfer (see "Data IN" in Figure 24 below). This mode is accomplished by connecting the data output (DO; pin 9) to the data input (Prog; pin 8) of the subsequent device. An RC filter must be implemented between each PROG pin of device n and DO pin of device n+1, to prevent the encoders to enter the alignment mode, in case of ESD discharge, long cables, or not conform signal levels or shape. Using the values R=100R and C=1nF allow a max. CLK frequency of 1MHz on the whole chain. The serial data of all connected devices is read from the DO pin of the first device in the chain. The length of the serial bit stream increases with every connected device, it is

$n * (16+1)$ bits:

e.g. 34 bit for two devices, 51 bit for three devices, etc...

The last data bit of the first device (Parity) is followed by a dummy bit and the first data bit of the second device (D9), etc... (see Figure 25).

Figure 24:
Daisy Chain Hardware Configuration

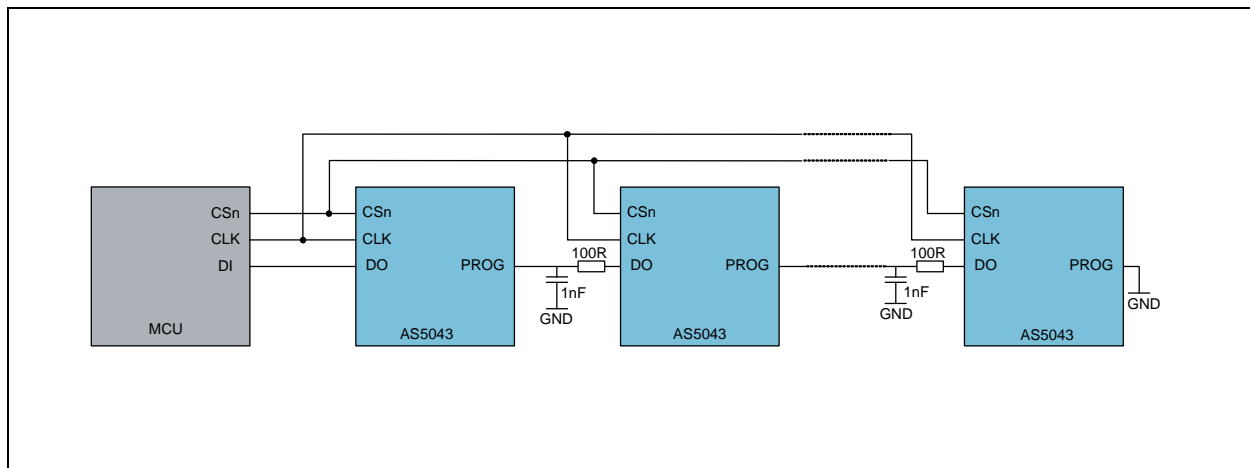
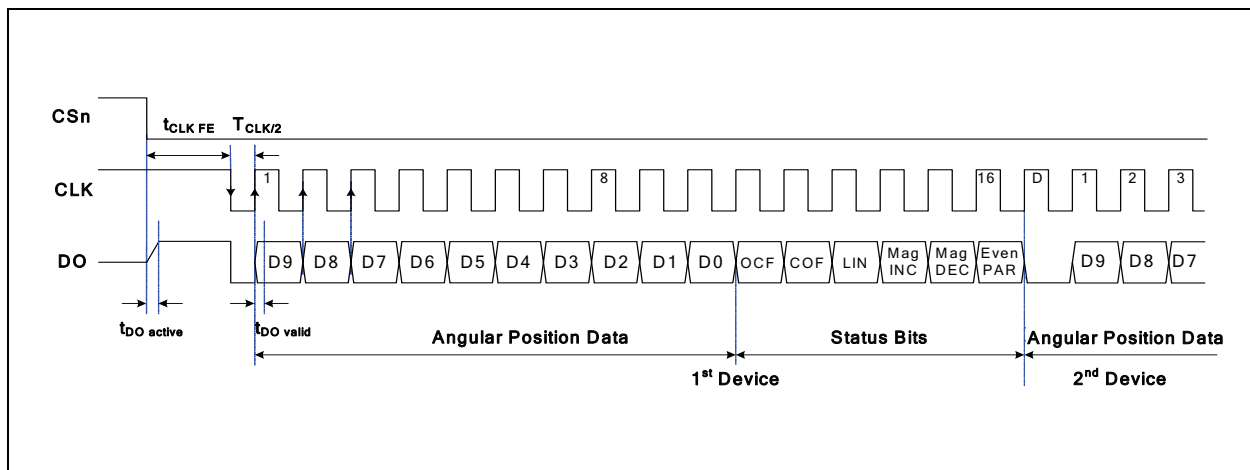


Figure 25:
Daisy Chain Data Transfer Timing Diagram



Analog Output

The analog output V_{out} provides an analog voltage that is proportional to the angle of the rotating magnet and ratiometric to the supply voltage V_{DD5V} (max. 5.5V). It can source or sink currents up to $\pm 1\text{mA}$ in normal operation (up to 66mA short circuit current).

The analog output block consists of a digital angular range selector, a 10-bit Digital-to-Analog converter and an OPAMP buffer stage (see [Figure 33](#)).

The digital range selector allows a preselection of the angular range for 360°, 180°, 90° or 45° (see [Figure 38](#)). Fine-tuning of the angular range can be accomplished by adjusting the gain of the OPAMP buffer stage.

The reference voltage for the Digital-to-Analog converter (DAC) can be taken internally from $V_{DD5V} / 2$. In this mode, the output voltage is ratiometric to the supply voltage.

Alternatively, an external DAC reference can be applied at pin DACref (#9). In this mode, the analog output is ratiometric to the external reference voltage.

An ON-chip diagnostic feature turns the analog output OFF in case of an error (broken supply or magnetic field out of range; see [Figure 22](#)).

The DAC output can be accessed directly at pin #10 DACout. The addition of an OPAMP to the DAC output allows a variety of user configurable options, such as variable output voltage ranges and variable output voltage versus angle response. By adding an external transistor, the analog voltage output can be buffered to allow output currents up to hundred milliamperes or more.

Furthermore, the OPAMP can be configured as constant current source.

As an OTP option, the DAC can be configured to 2 different output ranges:

a) 0 to 100% V_{DACref} . The reference point may be either taken from $V_{DD5V}/2$ or from the external DACref input. The 0... 100% range allows easy replacement of potentiometers. Due to the nature of rail-to-rail outputs, the linearity will degrade at output voltages that are close to the supply rails.

b) 10... 90% V_{DACref} . This range allows better linearity, as the OPAMP is not driven to the rails. Furthermore, this mode allows failure detection, when the analog output voltage is outside of the normal operating range of 10... 90%VDD, as in the case of broken supply or when the magnetic field is out of range and the analog output is turned OFF.

Analog Output Voltage Modes

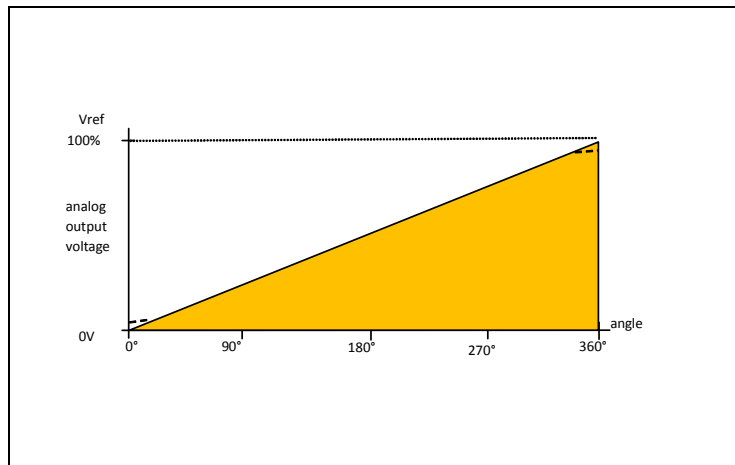
The Analog output voltage modes are programmable by OTP. Depending on the application, the analog output can be selected as rail-to-rail output or as clamped output with 10%-90% VDD5V.

The output is ratiometric to the supply voltage (VDD5V), which can range from 3.0V to 5.5V. If the DAC reference is switched to an external reference (pin DACref), the output is ratiometric to the external reference.

Full Scale Mode

This output mode provides a ratiometric DAC output of (0% to 100%)x Vref¹, amplified by the OPAMP stage (default =internal 2x gain, see [Figure 33](#))

Figure 26:
Analog Output, Full Scale Mode (shown for 360° mode)

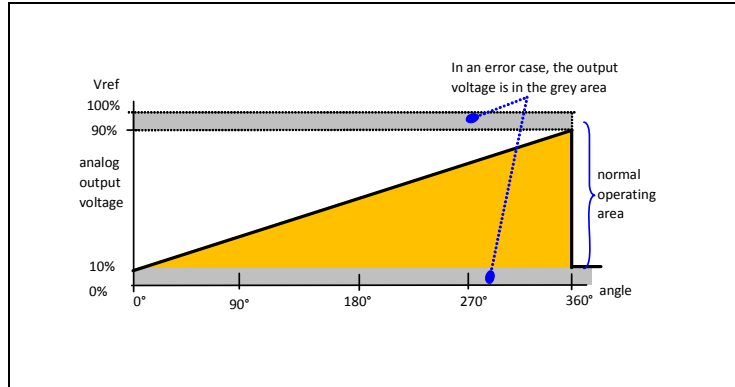


Note(s):

- In real case the output does not reach 100% Vref, because of saturation effects of the OPAMP output driver transistors. [Figure 26](#) describes a linear output voltage from rail to rail (0V to VDD) over 360°.
- See [Figure 38](#) for further angular range programming options.

Diagnostic Output Mode

Figure 27:
Diagnostic Output Mode



In Diagnostic Output Mode (see [Figure 27](#)) the analog output of the internal DAC ranges from 10% - 90% V_{ref}^1 . In an error case, either when the supply is interrupted or when the magnetic field is in the “red” range, (see [Figure 22](#)) the output is switched to 0V and thus indicates the error condition.

It is possible to enable the analog output permanently (it will not be switched OFF even if the magnetic field is out of range). To enable this feature an OTP bit in the factory setting must be set. The corresponding bit is FS6. See application note AS5040-20 (Extended features of OTP programming) for further details. The application note is available for download at the [ams](#) website.

1. V_{ref} = internal: $\frac{1}{2} * V_{DD5V}$ (pin #16) or external: V_{DACref} (pin#9), depending on Ref_extEN bit in OTP (0=int., 1=ext.)

The analog and digital outputs will have the following conditions:

Figure 28:
The Analog and Digital Outputs

Status	DAC Output Voltage	SSI Digital Output
Normal operation	10% - 90% Vref ⁽¹⁾	#0 - #1023 (0°-360°), MagRngn = 1
Magnetic field out of range	< 10% Vref ⁽¹⁾ , DAC output is switched to 0V	#0 - #1023 (0°-360°) Out of range is signaled in status bits: MagInc=MagDec=LIN=1, MagRngn= 0
Broken positive power supply (V _{OUT} pull down resistor at receiving side)	< 10% VDD ⁽²⁾	With pull down resistor at DO (receiving side), all bits read by the SSI will be "0"-s, indicating a non-valid output
Broken power supply ground (V _{OUT} pull down resistor at receiving side)	< 10% VD ⁽²⁾	
Broken positive power supply (V _{OUT} pull up resistor at receiving side)	> 90% VDD ⁽²⁾	
Broken power supply ground (V _{OUT} pull up resistor at receiving side)	> 90% VDD ⁽²⁾	

Note(s) and/or Footnote(s):

1. Vref = internal: ½ * VDD5V (pin #16) or external: V_{DACref} (pin#9), depending on Ref_extEN bit in OTP (0=int., 1=ext.).
2. VDD = positive supply voltage at receiving side (3.0 – 5.5V).

Programming the AS5043

After power-on, programming the AS5043 is enabled with the rising edge of CSn and Prog = logic high. 16 bit configuration data must be serially shifted into the OTP register via the Prog-pin. The first “CCW” bit is followed by the zero position data (MSB first) and the Analog Output Mode setting as shown in Figure 38. Data must be valid at the rising edge of CLK (see Figure 29). Following this sequence, the voltage at pin Prog must be raised to the programming voltage V_{PROG} (see Figure 29). 16 CLK pulses (t_{PROG}) must be applied to program the fuses. To exit the programming mode, the chip must be reset by a power-on-reset. The programmed data is available after the next power-up.

Note(s): During the programming process, the transitions in the programming current may cause high voltage spikes generated by the inductance of the connection cable. To avoid these spikes and possible damage to the IC, the connection wires, especially the signals PROG and VSS must be kept as short as possible. The maximum wire length between the V_{PROG} switching transistor and pin PROG (see Figure 31) should not exceed 50mm (2 inches).

To suppress eventual voltage spikes, a 10nF ceramic capacitor should be connected close to pins PROG and VSS. This capacitor is only required for programming, it is not required for normal operation. The clock timing t_{CLK} must be selected at a proper rate to ensure that the signal PROG is stable at the rising edge of CLK (see Figure 29). Additionally, the programming supply voltage should be buffered with a 10 μ F capacitor mounted close to the switching transistor. This capacitor aids in providing peak currents during programming. The specified programming voltage at pin PROG is 7.3 – 7.5V (see Programming Conditions). To compensate for the voltage drop across the V_{PROG} switching transistor, the applied programming voltage may be set slightly higher (7.5 - 8.0V, see Figure 31).

OTP Register Contents:

CCW	Counter Clockwise Bit <ul style="list-style-type: none"> • ccw=0 – angular value increases in clockwise direction • ccw=1 – angular value increases in counterclockwise direction
Z [9:0]	Programmable Zero / Index Position
FB_intEN	OPAMP gain setting: 0=external, 1=internal
RefExtEN	DAC reference: 0=internal, 1=external
ClampMd EN	Analog output span: 0=0-100%, 1=10-90%*VDD
Output Range (OR0, OR1) [1:0]	Analog Output Range Selection 00 = 360°; 01 = 180°; 10 = 90°; 11 = 45°

Figure 29:
Programming Access – OTP Write Cycle

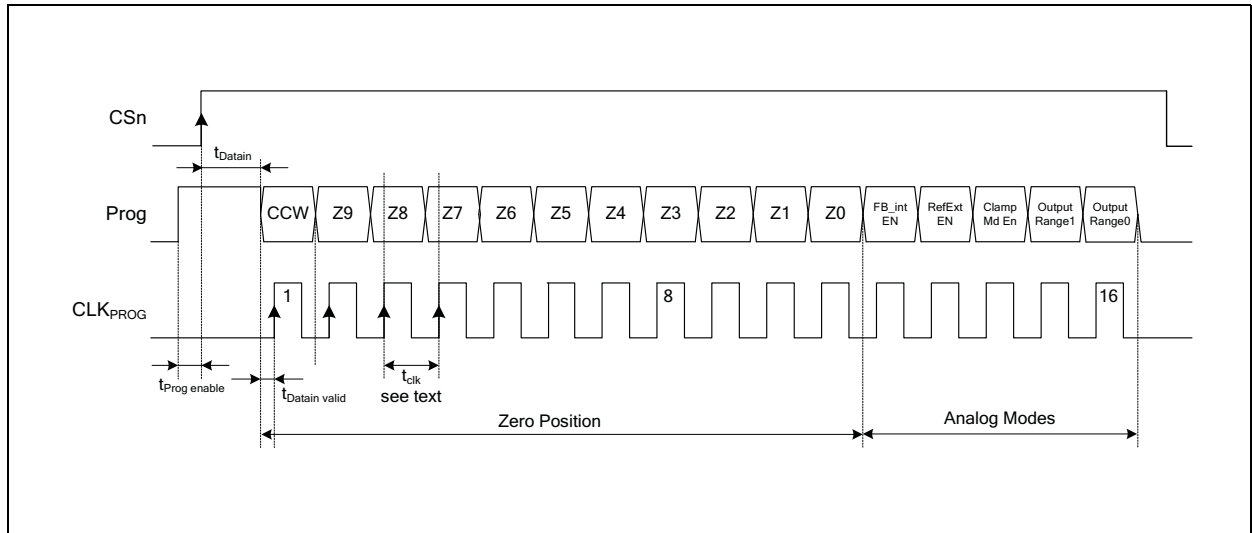


Figure 30:
Complete OTP Programming Sequence

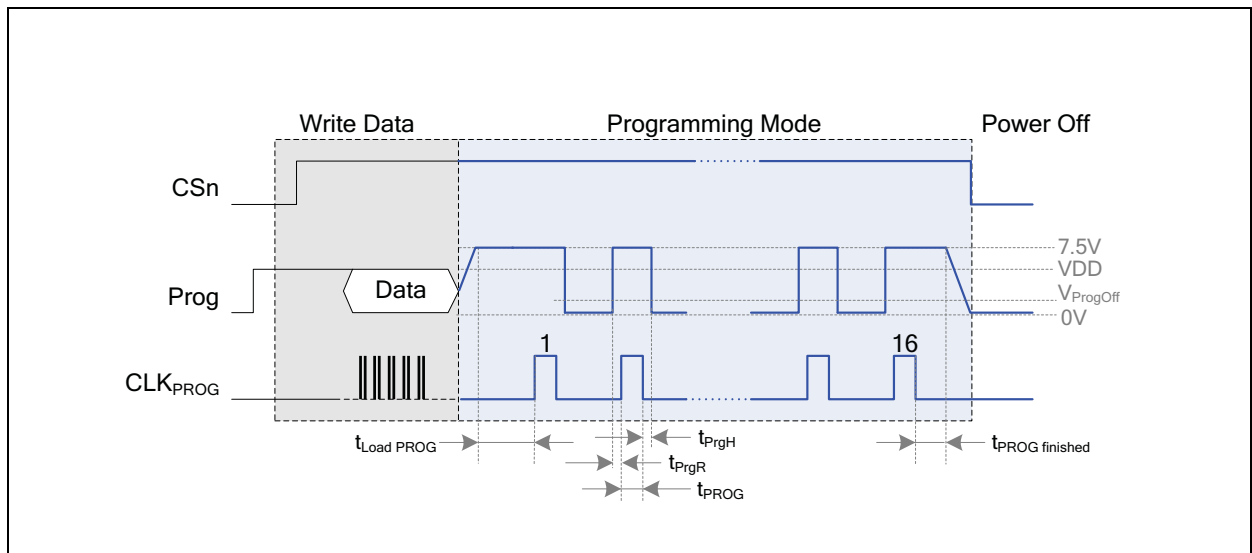
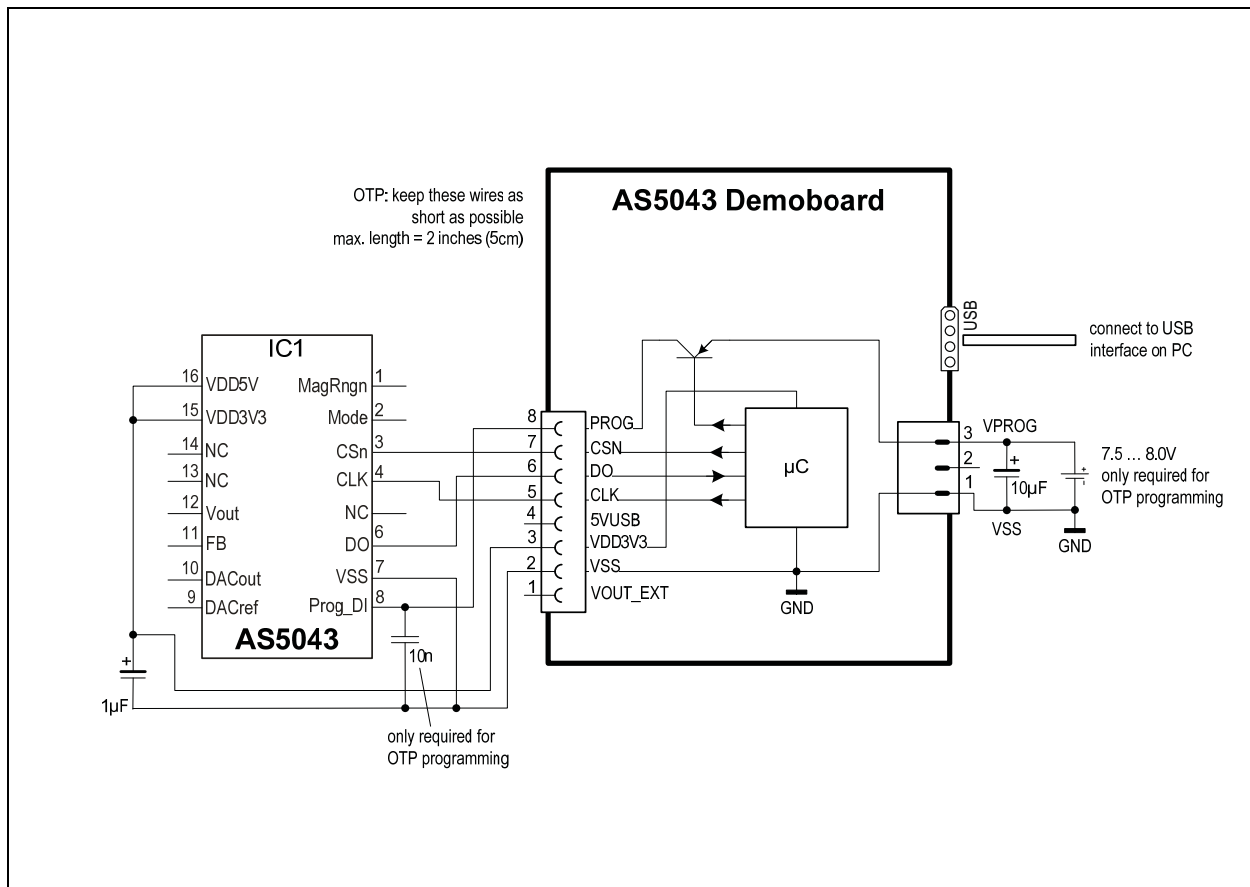


Figure 31:
OTP Programming Hardware Connection of AS5043 (shown with AS5043 demoboard)



Zero Position Programming

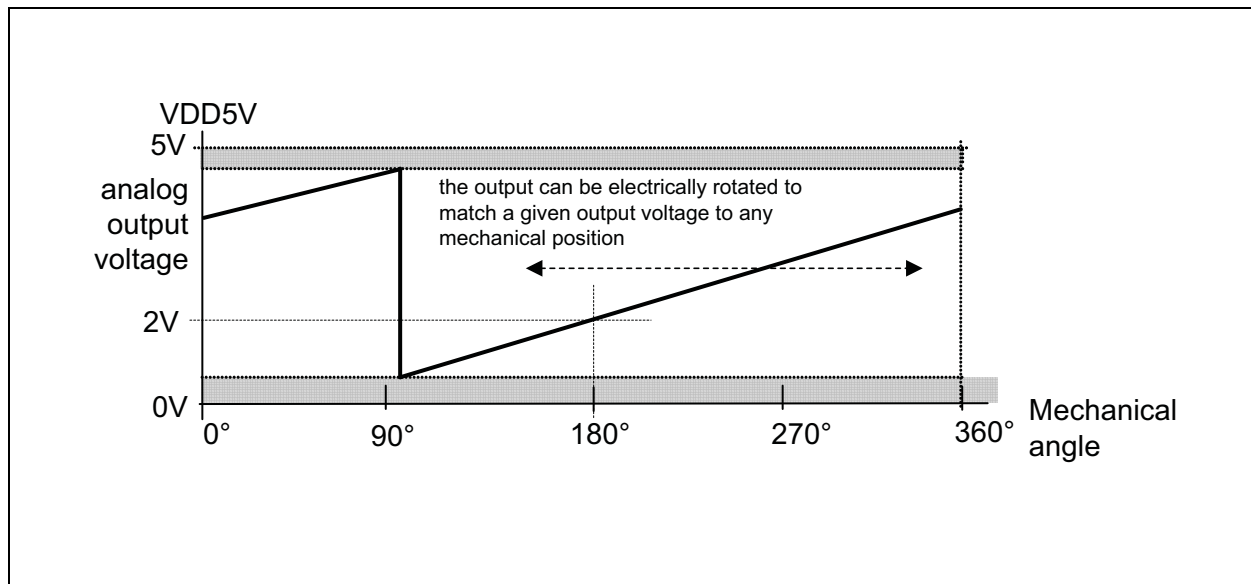
The AS5043 allows easy assembly of the system, as the actual angle of the magnet does not need to be considered. By OTP programming, any position can be assigned as the new permanent zero position with an accuracy of 0.35° (all modes).

Using the same procedure, the AS5043 can be calibrated to assign a given output voltage to a given angle. With this approach, all offset errors (DAC + OPAMP) are also compensated for the calibrated position.

Essentially, for a given mechanical position, the angular measurement system is electrically rotated (by changing the Zero Position value in the OTP register), until the output matches the desired mechanical position.

The example in [Figure 32](#) below shows a configuration for 5V supply voltage and 10%-90% output voltage range. It adjusted by Zero Position Programming to provide an analog output voltage of 2.0 Volts at an angle of 180°. The slope of the curve may be further adjusted by changing the gain of the OPAMP output stage and by selecting the desired angular range (360°/180°/90°/45°).

Figure 32:
Zero Position Programming (shown for 360° mode)



Analog Mode Programming

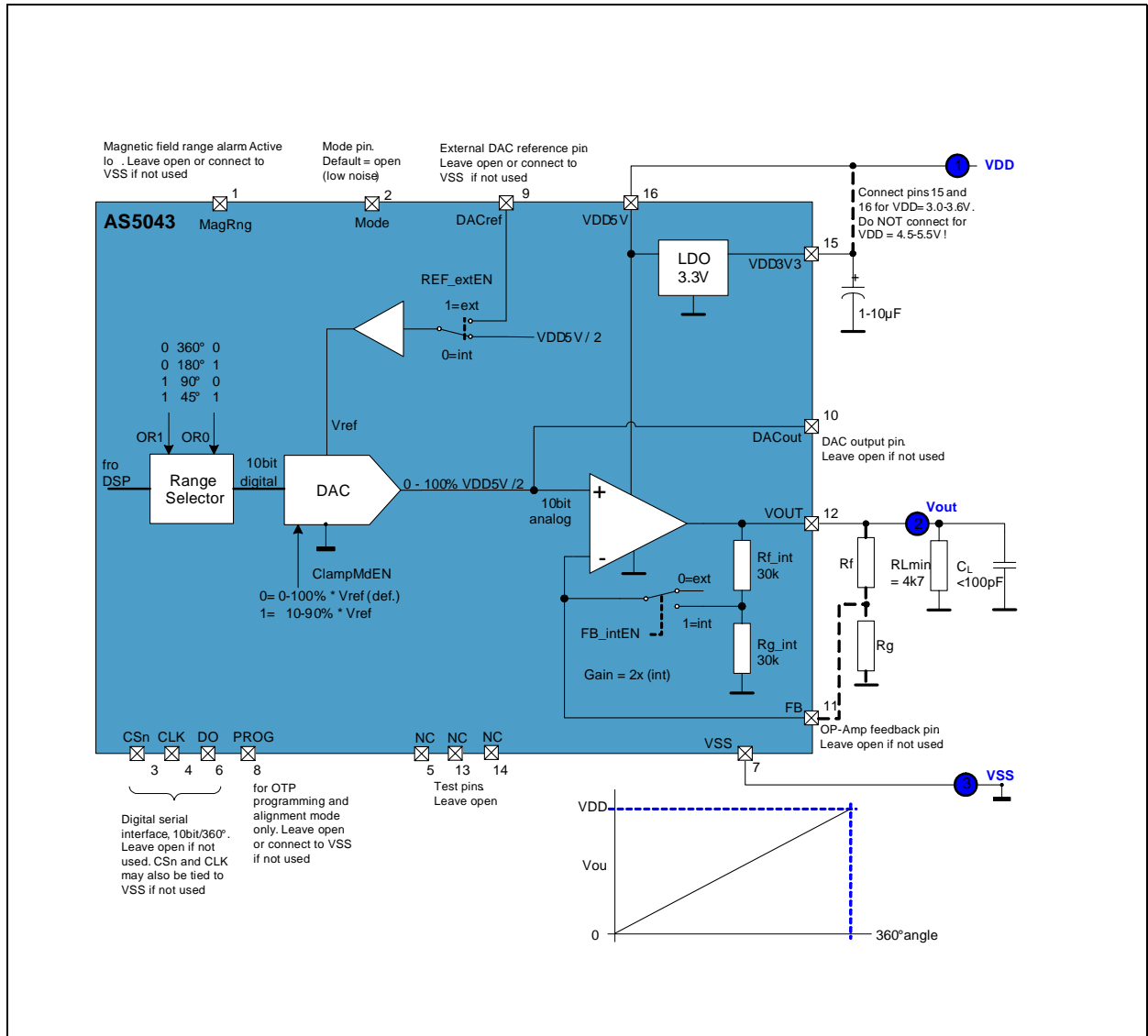
The analog output can be configured in many ways: It consists of three major building blocks,

- A digital range preselector,
- A 10-bit Digital-to-Analog-Converter (DAC),
- An OP-AMP buffer stage.

In the default configuration (all OTP bits = 0), the analog output is set for 360° operation, internal DAC reference ($V_{DD5V}/2$), external OPAMP gain, 0-100% ratiometric to V_{DD5V} . Shown below is a typical example for a 0°-360° range, 0-5V output. The complete application requires only one external component, a buffer capacitor at V_{DD3V3} and has only 3 connections V_{DD} , V_{SS} and V_{out} (connectors 1-3).

Note(s): The default setting for the OPAMP feedback path is: $FB_intEn=0=external$. The external resistors R_f and R_g must be installed. In the programmed state ($FB_intEn=1=internal$), these resistors do not need to be installed as the feedback path is internal (R_{f_int} and R_{g_int}).

Figure 33:
Analog Output Block Diagram



Angular Range Selector

The Angular Range selector allows a digital pre-selection of the angular range. The AS5043 can be configured for a full scale angular range of 45°, 90°, 180° or 360°. In addition, the Output voltage versus angle response can be fine-tuned by setting the gain of the OP-AMP with external resistors and the maximum output voltage can be set in the DAC.

The combination of these options allows to configure the operation range of the AS5043 for all angles up to 360° and output voltages up to 5.5V.

The response curve for the analog output is linear for the selected range (45°/90°/180°/360°). In addition, the slope is mirrored at 180° for 45°- and 90°- modes and has a step response at 270° for the 180°-mode. This allows the AS5043 to be used in a variety of applications. In these three modes, the output remains at $V_{out,max}$ and $V_{out,min}$ to avoid a sudden output change when the mechanical angle is rotated beyond the selected analog range. In 360°-mode, a jitter between $V_{out,max}$ and $V_{out,min}$ at the 360° point is also prevented due to a hysteresis.

Figure 34:
360° Angular Range (default)

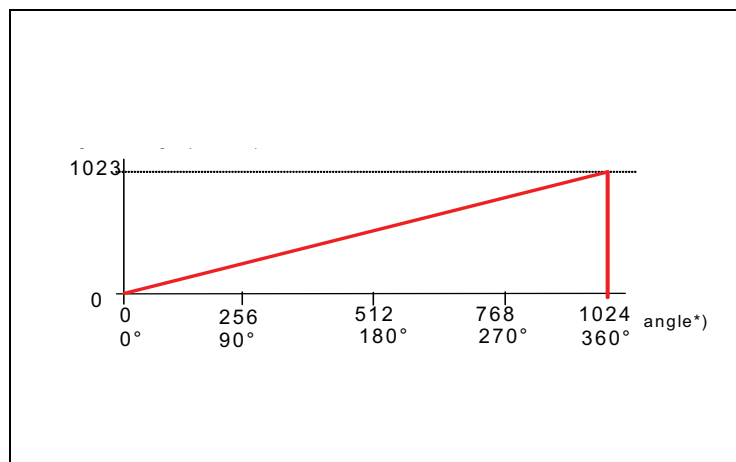


Figure 35:
180° Angular Range

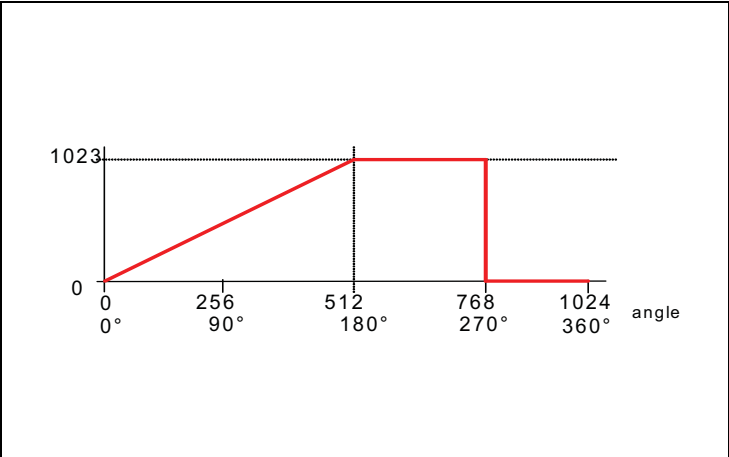


Figure 36:
90° Angular Range

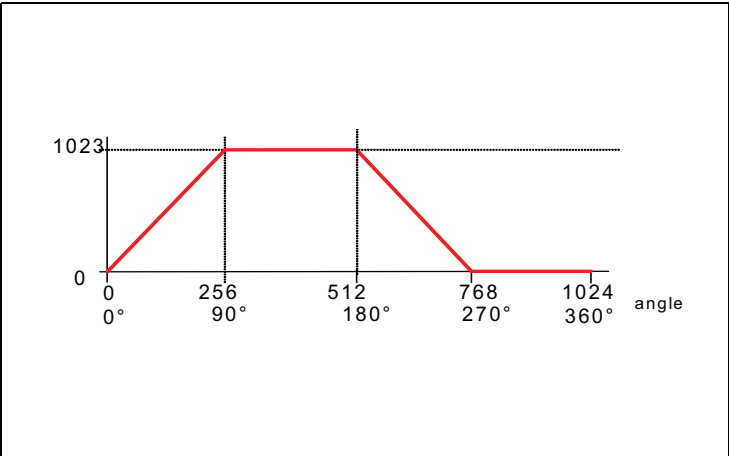


Figure 37:
45° Angular Range

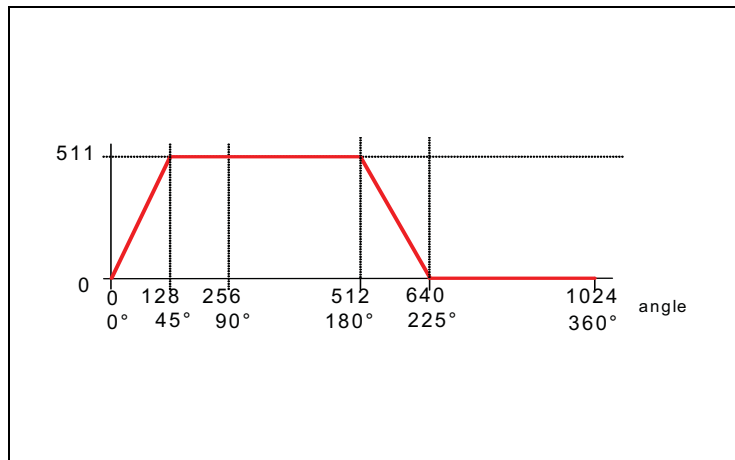


Figure 38:
Digital Range Selector Programming Option

Output Range1	Output Range0	Mode	Note
0	0	See Figure 34 ⁽¹⁾	Default mode, Analog resolution= 10bit (1024 steps) over 360° Analog step size: 1LSB = 0.35°
0	1	See Figure 35	Analog resolution= 10bit (1024 steps) over 180° Analog step size: 1LSB = 0.175°
1	0	See Figure 36	Analog resolution= 10bit (1024 steps) over 90° Analog step size: 1LSB = 0.088°
1	1	See Figure 37	Analog resolution= 9 bit (512 steps) over 45° Analog step size: 1LSB = 0.088°

Note(s) and/or Footnote(s):

1. The resolution on the digital SSI interface is always 10bit (0.35°/step) over 360°, independent on analog mode.

Repeated OTP Programming

Although a single AS5043 OTP register bit can be programmed only once (from 0 to 1), it is possible to program other, unprogrammed bits in subsequent programming cycles. However, a bit that has already been programmed should not be programmed twice. Therefore it is recommended that bits that are already programmed are set to “0” during a programming cycle.

Non-Permanent Programming

It is also possible to re-configure the AS5043 in a non-permanent way by overwriting the OTP register. This procedure is essentially a “Write Data” sequence (see [Figure 29](#)) without a subsequent OTP programming cycle. The “Write Data” sequence may be applied at any time during normal operation. This configuration remains set while the power supply voltage is above the power-on reset level (see [Electrical System Specifications](#)). See Application Note AN5000-20 for further information.

Digital-to-Analog Converter (DAC)

The DAC has a resolution of 10bit (1024 steps) and can be configured for the following options.

Internal or External Reference

The default DAC reference is the voltage at pin #16 (VDD5V) divided by 2 (see [Figure 32](#)). Using this reference, a system that has an output voltage ratiometric to the supply voltage can be built.

Optionally, an external reference source, applied at pin#9 (DACref) can be used. This programming option is useful for applications requiring a precise output voltage that is independent of supply fluctuations, for current sink outputs or for applications with a dynamic reference, e.g. attenuation of audio signals.

0-100% or 10-90% Full Scale Range

The reference voltage for the DAC is buffered internally. The recommended range for the external reference voltage is 0.2V to (VDD3V3 - 0.2)V.

The DAC output voltage will be switched to 0V, when the magnetic field is out of range, when the MagInc and MagDec indicators are both =1 and the MagRngn-pin (#1) will go low.

The default full scale output voltage range is 0-100%*VDD5V. Due to limitations in the output stage of an OP-Amp buffer, it cannot drive the output voltage from 0-100% rail-to-rail.

Without load, the minimum output voltage at 0° will be a few millivolts higher than 0V and the maximum output voltage will be slightly lower than VDD5V. With increasing load, the voltage drops will increase accordingly.

As a programming option, an output range of 10-90%*VDD5V can be selected. In this mode, there is no saturation at the upper and lower output voltage limits like in the 0-100% mode and it allows failure detection as the output voltage will be outside the 10-90% limits, when the magnetic field is in the “red” range ($V_{out}=0V$, see [Figure 22](#)) or when the supply to the chip is interrupted ($V_{out}=0V$ or VDD5V).

The unbuffered output of the DAC is accessible at pin #10 (DACout). This output must not be loaded.

OP-AMP Stage

The DAC output is buffered by a non-inverting Op-Amp stage. The amplifier is supplied by VDD5V (pin #16) and can hence provide output voltages up to 5V.

By allowing access to the inverting input of the Op-Amp and with the addition of a few discrete components it can be configured in many ways, like high current buffer, current sink output, adjustable angle range, etc...

Per default, the gain of the Op-Amp must be set by two external resistors (see [Figure 22](#)). Optionally, the fixed internal gain setting (2x) may be programmed by OTP, eliminating the need for external resistors.

Output Noise

The noise level at the analog output depends on two states of the digital angular output:

- The digital angular output value is stable.
In this case, the output noise is the figure given as Vnoise in [OPAMP Output Stage](#). Note that the noise level is given for the default gain of 2x. For other gains, it must be scaled accordingly.
- The digital output is at the edge of a step.
In this case, the digital output may jitter between two adjacent values. The rate of jitter is specified as transition noise (parameter TN in [Electrical System Specifications](#)). The resulting output noise is calculated by:

(EQ1)
$$V_{\text{noise, Vout}} = \frac{TN \cdot VDD5V}{360} + V_{\text{noise, OPAMP}}$$

where:

V_{noise, Vout} = noise level at pin Vout in Vrms

TN = transition noise (in °rms; see [Electrical System Specifications](#))

VDD5V = Supply voltage VDD5V in V

V_{noise, OPAMP} = noise level of OPAMP ([OPAMP Output Stage](#)) in Vrms

Application Examples

See Application Note AN5043-10 for AS5043 Application Examples.

Analog Readback Mode

Non-volatile programming (OTP) uses on-chip Zener diodes, which become permanently low resistive when subjected to a specified reverse current.

The quality of the programming process depends on the amount of current that is applied during the programming process (up to 130mA). This current must be provided by an external voltage source. If this voltage source cannot provide adequate power, the Zener diodes may not be programmed properly.

In order to verify the quality of the programmed bits, an analog level can be read for each Zener diode, giving an indication whether this particular bit was properly programmed or not. To put the AS5043 in Analog Readback Mode, a digital sequence must be applied to pins CSn, PROG and CLK as shown in [Figure 39](#). The digital level for this pin depends on the supply configuration ([3.3V / 5V Operation](#)).

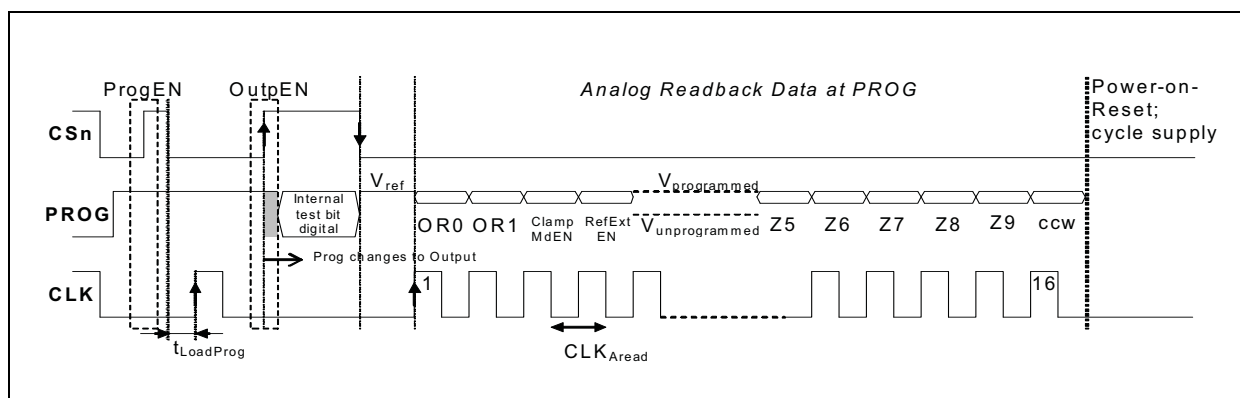
The second rising edge on CSn (OutpEN) changes pin PROG to a digital output and the log. high signal at pin PROG must be removed to avoid collision of outputs (grey area in [Figure 39](#)). The following falling slope of CSn changes pin PROG to an analog output, providing a reference voltage Vref, that must be saved as a reference for the calculation of the subsequent programmed and unprogrammed OTP bits.

Following this step, each rising slope of CLK outputs one bit of data in the reverse order as during programming. (see [Figure 39: Output Range OR0 and -1, ClampMdEn, RefExtEn, FB_IntEn, Z0 ...Z9, ccw](#))

During analog readback, the capacitor at pin PROG (see [Figure 31](#)) should be removed to allow a fast readout rate. The measured analog voltage for each bit must be subtracted from the previously measured Vref, and the resulting value gives an indication on the quality of the programmed bit: a reading of <100mV indicates a properly programmed bit and a reading of >1V indicates a properly unprogrammed bit. A reading between 100mV and 1V indicates a faulty bit, which may result in an undefined digital value, when the OTP is read at power-up.

Following the 16th clock (after reading bit "ccw"), the chip must be reset by disconnecting the power supply.

Figure 39:
Analog OTP Register Read



Alignment Mode

The alignment mode simplifies centering the magnet over the chip to gain maximum accuracy and XY-alignment tolerance. This electrical centering method allows a wider XY-alignment tolerance (0.485mm radius) than mechanical centering (0.25mm radius) as it eliminates the placement tolerance of the die within the IC package ($\pm 0.235\text{mm}$). Alignment mode can be enabled with the falling edge of CSn while Prog = logic high (Figure 40). The Data bits D9-D0 of the SSI change to a 10-bit displacement amplitude output. A high value indicates large X or Y displacement, but also higher absolute magnetic field strength. The magnet is properly aligned, when the difference between highest and lowest value over one full turn is at a minimum. Under normal conditions, a properly aligned magnet will result in a reading of less than 32 over a full turn. Stronger magnets or short gaps between magnet and IC may show values larger than 32. These magnets are still properly aligned as long as the difference between highest and lowest value over one full turn is at a minimum. The MagINC and MagDEC indicators will be = 1 when the alignment mode reading is < 32. At the same time, hardware pin MagRngn (#1) will be pulled to VSS. The Alignment mode can be reset to normal operation mode by a power-on-reset (cycle power supply) or by a falling edge of CSn with PROG = low (see Figure 40).

Figure 40:
Enabling the Alignment Mode

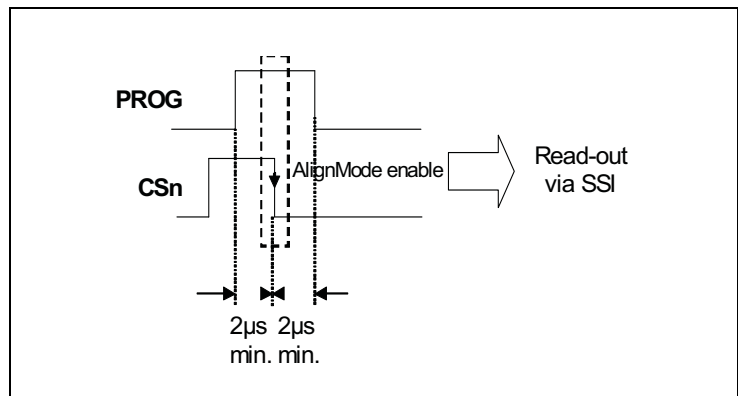
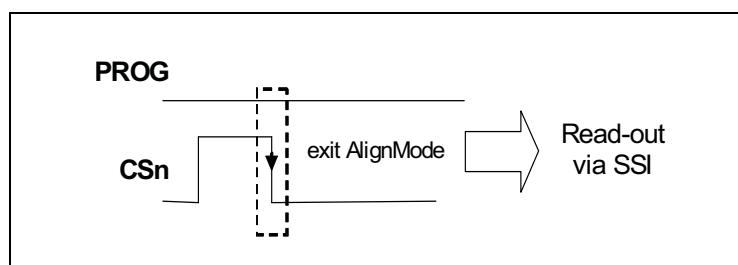


Figure 41:
Exiting Alignment Mode

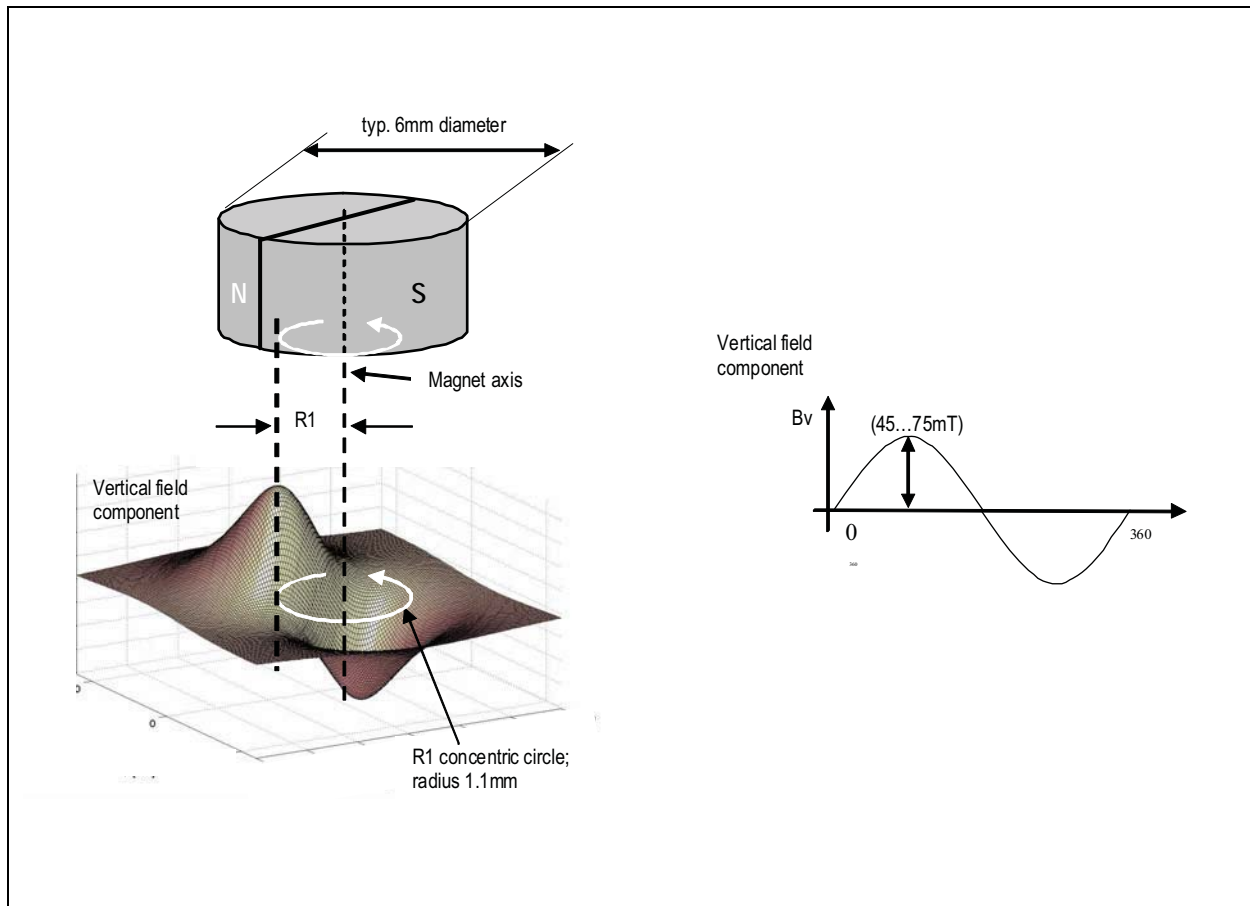


Choosing the Proper Magnet

Typically the magnet should be 6mm in diameter and $\geq 2.5\text{mm}$ in height. Magnetic materials such as rare earth AlNiCo, SmCo5 or NdFeB are recommended.

The magnet’s field strength perpendicular to the die surface should be verified using a gauss-meter. The magnetic field B_v at a given distance, along a concentric circle with a radius of 1.1mm (R1), should be in the range of $\pm 45\text{mT}$ to $\pm 75\text{mT}$. (see Figure 42).

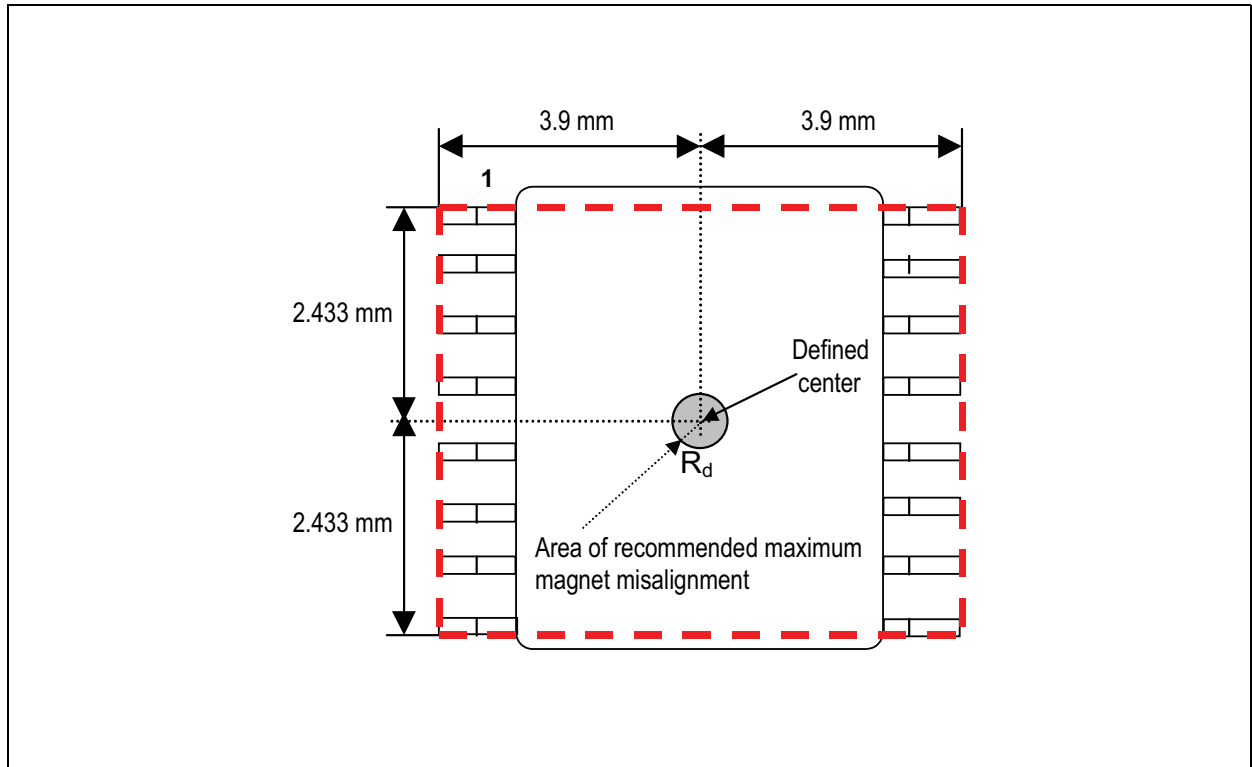
Figure 42:
Typical Magnet and Magnetic Field Distribution



Physical Placement of the Magnet

The best linearity can be achieved by placing the center of the magnet exactly over the defined center of the IC package as shown in Figure 43.

Figure 43:
Defined IC Center and Magnet Displacement Radius



Magnet Placement

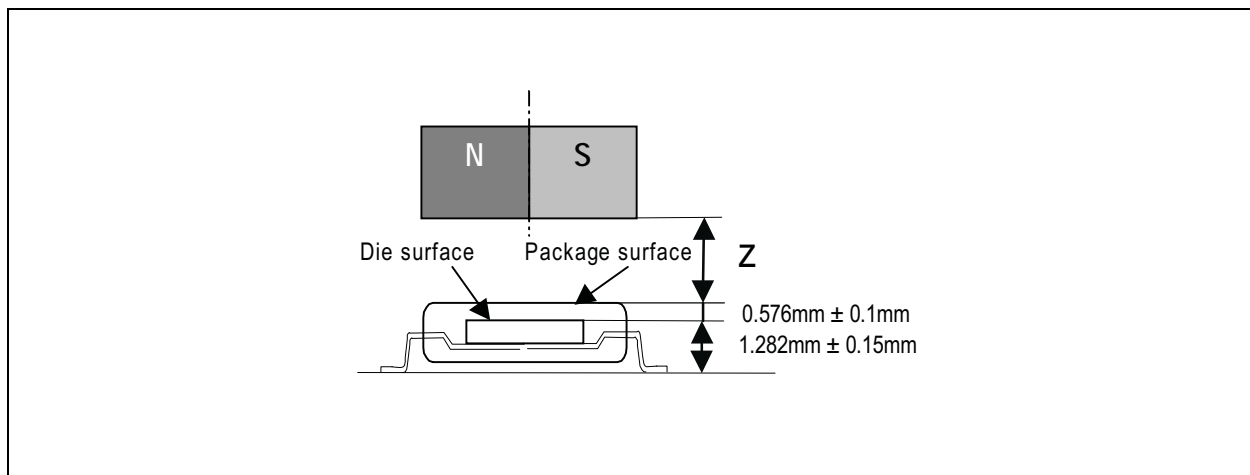
The magnet's center axis should be aligned within a displacement radius R_d of 0.25mm from the defined center of the IC with reference to the edge of pin #1 (see [Figure 43](#)). This radius includes the placement tolerance of the chip within the SSOP-16 package ($\pm 0.235\text{mm}$).

The displacement radius R_d is 0.485mm with reference to the center of the chip (see [Alignment Mode](#)).

The vertical distance should be chosen such that the magnetic field on the die surface is within the specified limits (see [Figure 42](#)). The typical distance "z" between the magnet and the package surface is 0.5mm to 1.8mm with the recommended magnet (6mm x 3mm). Larger gaps are possible, as long as the required magnetic field strength stays within the defined limits.

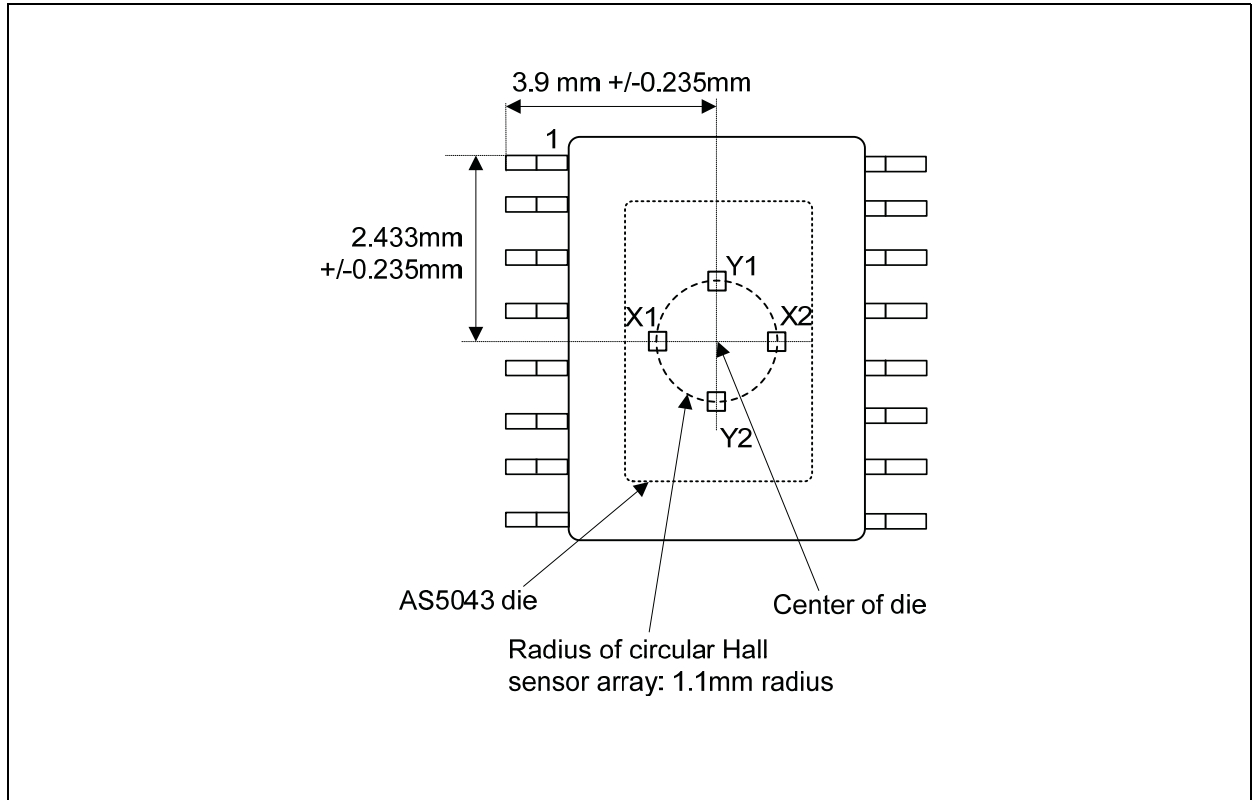
A magnetic field outside the specified range may still produce usable results, but the out-of-range condition will be indicated by MagINCn (pin 1), which will be pulled low. At this condition, the angular data is still available over the digital serial interface (SSI), but the analog output will be turned OFF.

Figure 44:
Vertical Placement of the Magnet



Simulation Modelling

Figure 45:
Arrangement of Hall Sensor Array on Chip (principle)



With reference to [Figure 45](#), a diametrically magnetized permanent magnet is placed above or below the surface of the AS5043. The chip uses an array of Hall sensors to sample the vertical vector of a magnetic field distributed across the device package surface. The area of magnetic sensitivity is a circular locus of 1.1 mm radius with respect to the center of the die. The Hall sensors in the area of magnetic sensitivity are grouped and configured such that orthogonally related components of the magnetic fields are sampled differentially.

The differential signal Y1-Y2 will give a sine vector of the magnetic field. The differential signal X1-X2 will give an orthogonally related cosine vector of the magnetic field.

The angular displacement (θ) of the magnetic source with reference to the Hall sensor array may then be modelled by:

$$(EQ2) \quad \theta = \arctan\left(\frac{(Y1 - Y2)}{(X1 - X2)}\right) \pm 0.5^\circ$$

The $\pm 0.5^\circ$ angular error assumes a magnet optimally aligned over the center of the die and is a result of gain mismatch errors of the AS5043. Placement tolerances of the die within the package are ± 0.235 mm in X and Y direction, using a reference point of the edge of pin #1 ([Figure 45](#)).

In order to neglect the influence of external disturbing magnetic fields, a robust differential sampling and ratiometric calculation algorithm has been implemented. The differential sampling of the sine and cosine vectors removes any common mode error due to DC components introduced by the magnetic source itself or external disturbing magnetic fields. A ratiometric division of the sine and cosine vectors removes the need for an accurate absolute magnitude of the magnetic field and thus accurate Z-axis alignment of the magnetic source.

The recommended differential input range of the magnetic field strength ($B_{(X1-X2)}, B_{(Y1-Y2)}$) is $\pm 75\text{mT}$ at the surface of the die. In addition to this range, an additional offset of $\pm 5\text{mT}$, caused by unwanted external stray fields is allowed. The chip will continue to operate, but with degraded output linearity, if the signal field strength is outside the recommended range. Too strong magnetic fields will introduce errors due to saturation effects in the internal preamplifiers. Too weak magnetic fields will introduce errors due to noise becoming more dominant.

Failure Diagnostics

The AS5043 also offers several diagnostic and failure detection features:

Magnetic Field Strength Diagnosis

By Software: the MagINC and MagDEC status bits will both be high when the magnetic field is out of range.

By Hardware: Pin #1 (MagRngn) is a logical NAND-ed combination of the MagInc and MagDec status bits. It is an opendrain output and will be turned ON (= low with external pull-up resistor) when the magnetic field is out of range.

By Hardware: Pin #12 (Vout) is the analog output of the DAC and OP-Amp. The analog output will be 0V, when the magnetic field is out of range (all analog modes).

Power Supply Failure Detection

By Software: If the power supply to the AS5043 is interrupted, the digital data read by the SSI will be all "0"s. Data is only valid, when bit OCF is high, hence a data stream with all "0"s is invalid. To ensure adequate low levels in the failure case, a pull-down resistor (~10k Ω) should be added between pin DO and VSS at the receiving side.

By Hardware: The MagRngn pin is an open drain output and requires an external pull-up resistor. In normal operation, this pin is high ohmic and the output is high. In a failure case, either when the magnetic field is out of range or the power supply is missing, this output will become low. To ensure an adequate low level in case of a broken power supply to the AS5043, the pull-up resistor (~10k Ω) must be connected to the positive supply at pin 16 (VDD5V).

Angular Output Tolerances

Accuracy of Digital Outputs

Accuracy is defined as the error between measured angle and actual angle. It is influenced by several factors:

- The non-linearity of the analog-digital converters,
- Internal gain and mismatch errors,
- Non-linearity due to misalignment of the magnet

As a sum of all these errors, the accuracy with centered magnet = $(Err_{max} - Err_{min})/2$ is specified as better than ± 0.5 degrees @ 25°C (see [Figure 47](#)).

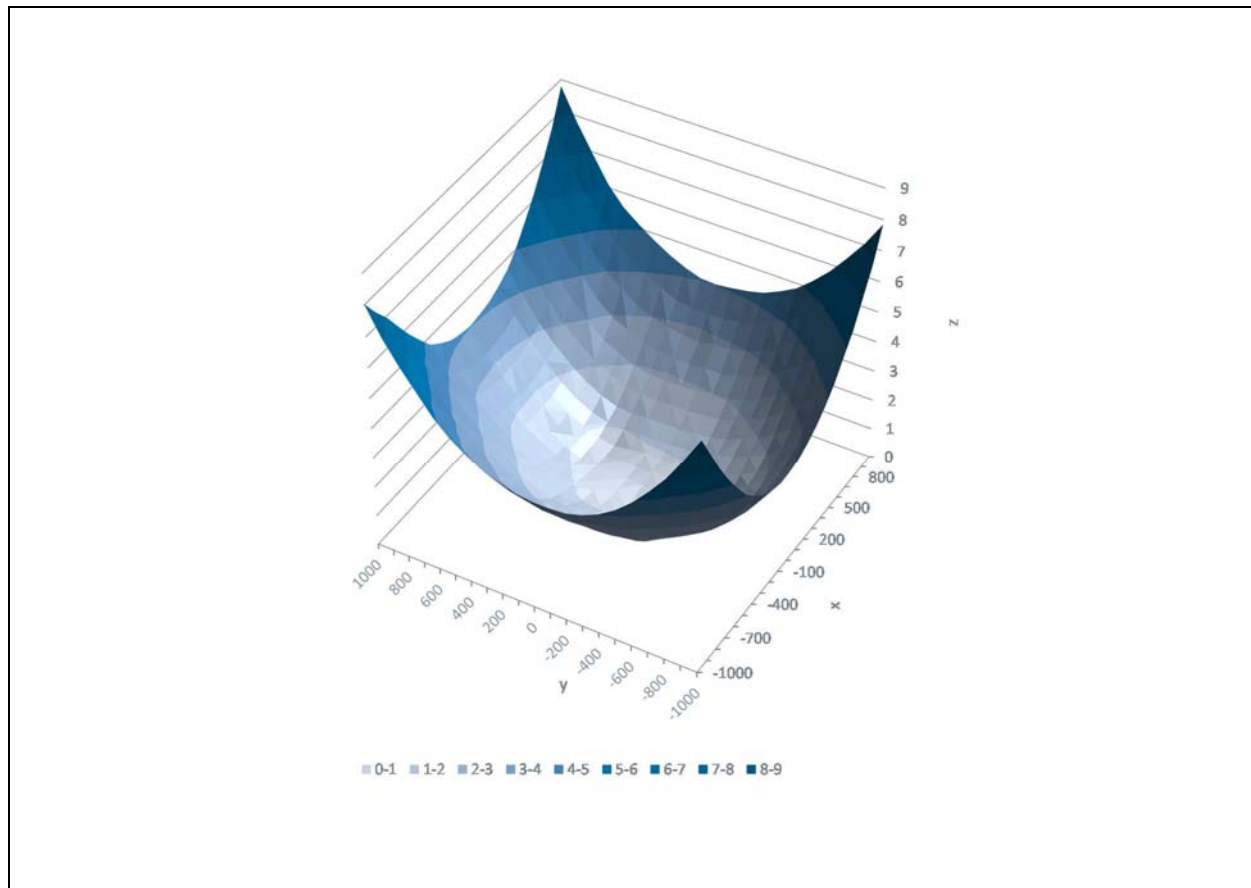
Misalignment of the magnet further reduces the accuracy. [Figure 46](#) shows an example of a 3D-graph displaying nonlinearity over XY-misalignment. The center of the square XY-area corresponds to a centered magnet (see dot in the center of the graph). The X- and Y- axis extends to a misalignment of ± 1 mm in both directions. The total misalignment area of the graph covers a square of 2x2 mm (79x79mil) with a step size of 100 μ m.

For each misalignment step, the measurement as shown in [Figure 47](#) is repeated and the accuracy $(Err_{max} - Err_{min})/2$ (e.g. 0.25° in [Figure 47](#)) is entered as the Z-axis in the 3D-graph.

Accuracy of Analog Output

The analog output has the same accuracy as the digital output with the addition of the nonlinearities of the DAC and the OPAMP (± 1 LSB; see [Figure 38](#) and 0).

Figure 46:
Example of Linearity Error Over XY Misalignment

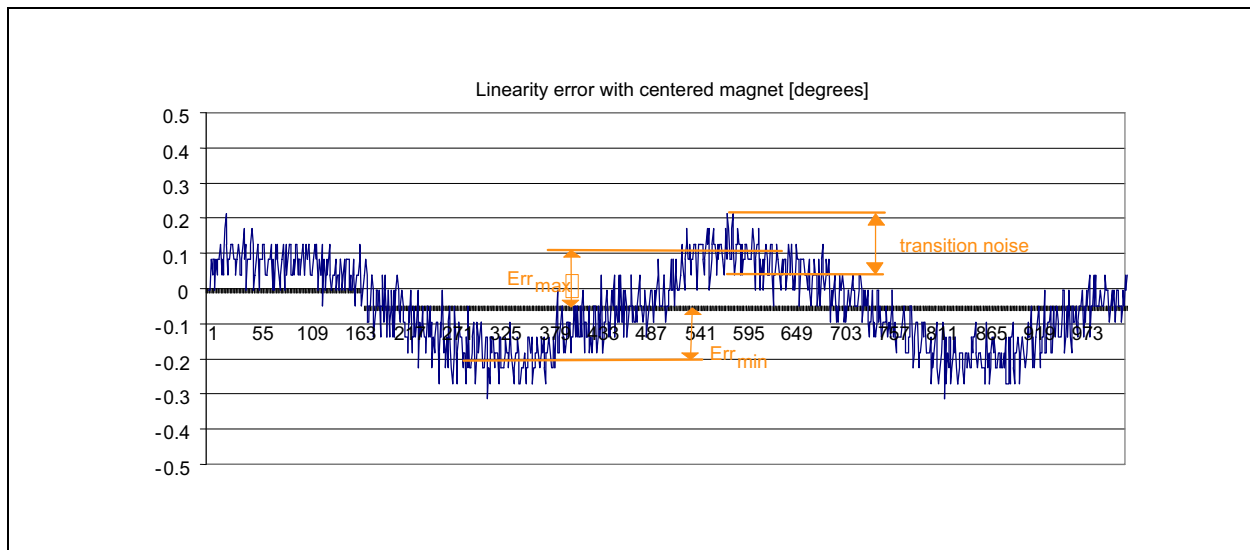


The maximum non-linearity error on this example is better than ± 1 degree (inner circle) over a misalignment radius of ~ 0.7 mm. For volume production, the placement tolerance of the IC within the package (± 0.235 mm) must also be taken into account.

The total nonlinearity error over process tolerances, temperature and a misalignment circle radius of 0.25mm is specified better than ± 1.4 degrees.

The magnet used for this measurement was a cylindrical NdFeB (Bomatec® BMN-35H) magnet with 6mm diameter and 2.5mm in height.

Figure 47:
Example of Linearity Error Over 360°



Transition Noise

Transition noise is defined as the jitter in the transition between two steps.

Due to the nature of the measurement principle (Hall sensors + Preamplifier + ADC), there is always a certain degree of noise involved.

This transition noise voltage results in an angular transition noise at the outputs. It is specified as 0.06 degrees rms (1 sigma)² in fast mode (pin MODE = high) and 0.03 degrees rms (1 sigma)² in slow mode (pin MODE = low or open). These values are the repeatability of an indicated angle at a given mechanical position.

The transition noise has different implications on the type of output that is used:

- **Absolute Output; SSI Interface:**
 The transition noise of the absolute output can be reduced by the user by applying an averaging of readings. An averaging of 4 readings will reduce the transition noise by 6dB or 50%, e.g. from 0.03°rms to 0.015°rms (1 sigma)² in slow mode.
- **Analog Output:**
 Ideally, the analog output should have a jitter that is less than one digit. In 360° mode, both fast or slow mode may be selected for adequate low jitter. In 180°, 90° or 45° mode, where the step sizes are smaller, slow mode should be selected to reduce the output jitter.

2. Statistically, 1 sigma represents 68.27% of readings, 3 sigma represents 99.73% of readings.

High Speed Operation

Sampling Rate

The AS5043 samples the angular value at a rate of 10.42k samples per second (ksps) in fast mode and 2.61ksps in slow mode.

Consequently, a new reading is performed each 96µs. (fast mode) or 384µs (slow mode).

At a stationary position of the magnet, this sampling rate creates no additional error.

Absolute Mode

With the given sampling rates, the number of samples (n) per turn for a magnet rotating at high speed can be calculated by

$$(EQ3) \quad n = \frac{60}{\text{rpm} \cdot 96\mu\text{s}} \quad \text{for fast mode}$$

$$(EQ4) \quad n = \frac{60}{\text{rpm} \cdot 384\mu\text{s}} \quad \text{for slow mode}$$

In practice, there is no upper speed limit. The only restriction is that there will be fewer samples per revolution as the speed increases.

Regardless of the rotational speed, the absolute angular value is always sampled at the highest resolution.

Figure 48:
Speed Performance

Fast Mode (Pin Mode = 1)	Slow Mode (Pin Mode = 0 or Open)
610rpm = 1024 samples / turn	610rpm = 256 samples / turn
1220rpm = 512 samples / turn	1220rpm = 128 samples / turn
2441rpm = 256 samples / turn	2441rpm = 64 samples / turn
etc...	etc...

Output Delays

The propagation delay is the delay between the time that the sample is taken until it is available as angular data. This delay is 96µs in fast mode (pin Mode = high) and 384µs in slow mode (pin Mode = low or open).

The analog output produces no further delay, the output voltage will be updated as soon as it is available. Using the SSI interface for data transmission, an additional delay must be considered, caused by the asynchronous sampling ($0 \dots 1/f_{\text{sample}}$) and the time it takes the external control unit to read and process the angular data from the AS5043.

Angular Error Caused by Propagation Delay

A rotating magnet will cause an angular error caused by the propagation delay. This error increases linearly with speed:

$$(EQ5) \quad e_{\text{sampling}}(\text{deg}) = 6 * \text{rpm} * \text{pr. delay}$$

Where:

e_{sampling} = angular error [°]

rpm = rotating speed [rpm]

pr.delay = propagation delay [seconds]

Note(s): Since the propagation delay is known, it can be automatically compensated by the control unit processing the data from the AS5043.

Internal Timing Tolerance

The AS5043 does not require an external ceramic resonator or quartz. All internal clock timings for the AS5043 are generated by an ON-chip RC oscillator. This oscillator is factory trimmed to ±5% accuracy at room temperature (±10% over full temperature range). This tolerance influences the ADC sampling rate:

- Absolute Output; SSI Interface:
A new angular value is updated every
96µs ± 5% (Mode = 1) or
384µs ± 5% (Mode = 0 or open)

Temperature

Magnetic Temperature Coefficient

One of the major benefits of the AS5043 compared to linear Hall sensors is that it is much less sensitive to temperature. While linear Hall sensors require a compensation of the magnet's temperature coefficients, the AS5043 automatically compensates for the varying magnetic field strength over temperature. The magnet's temperature drift does not need to be considered, as the AS5043 operates with magnetic field strengths from $\pm 45 \dots \pm 75$ mT.

Example:

A NdFeB magnet has a field strength of 75 mT @ -40°C and a temperature coefficient of -0.12% per Kelvin. The temperature change is from -40° to +125° = 165K.

The magnetic field change is: $165 \times -0.12\% = -19.8\%$, which corresponds to 75 mT at -40°C and 60 mT at 125°C.

The AS5043 can compensate for this temperature related field strength change automatically, no user adjustment is required.

Accuracy Over Temperature

The influence of temperature in the absolute accuracy is very low. While the accuracy is $\leq \pm 0.5^\circ$ at room temperature, it may increase to $\leq \pm 0.9^\circ$ due to increasing noise at high temperatures.

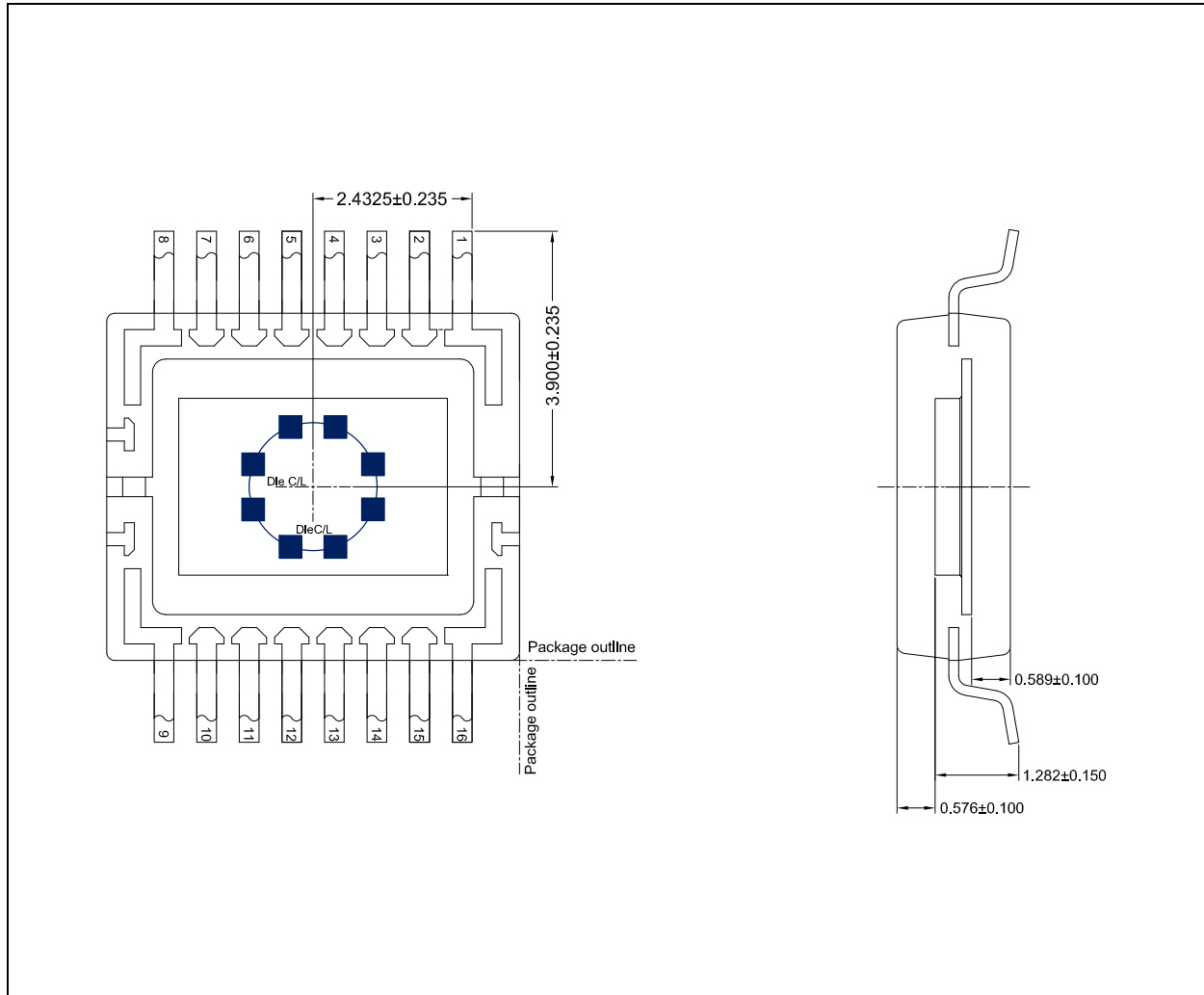
Timing Tolerance Over Temperature

The internal RC oscillator is factory trimmed to $\pm 5\%$. Over temperature, this tolerance may increase to $\pm 10\%$. Generally, the timing tolerance has no influence in the accuracy or resolution of the system, as it is used mainly for internal clock generation.

Mechanical Data

The internal Hall elements are located in the center of the package on a circle with a radius of 1 mm.

Figure 49:
Hall Element Positions

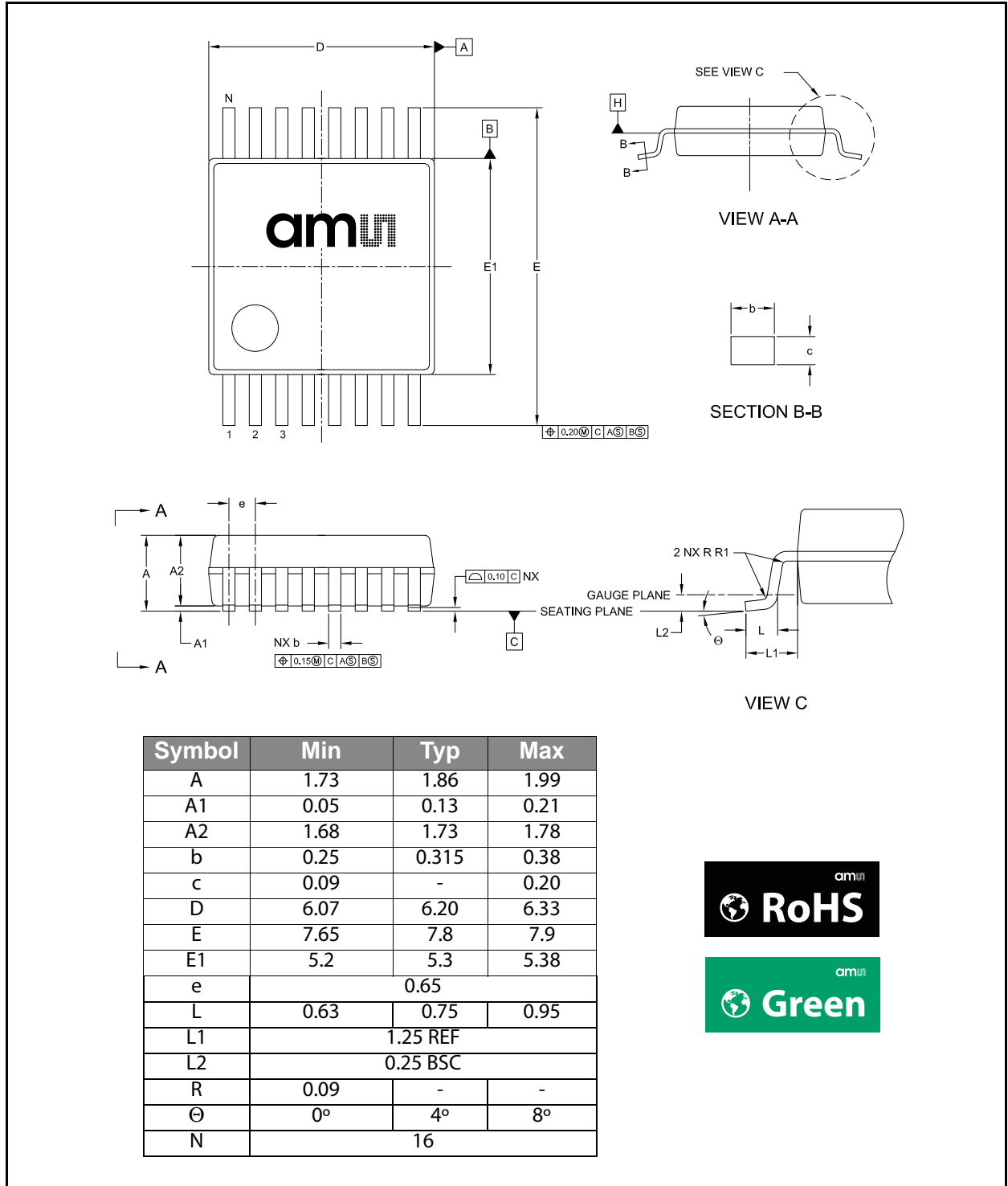


Note(s) and/or Footnote(s):

1. All dimensions in mm.
2. Die thickness 381 μm nom.
3. Adhesive thickness $30 \pm 15 \mu\text{m}$.
4. Leadframe downset $200 \pm 38 \mu\text{m}$.
5. Leadframe thickness $152 \pm 8 \mu\text{m}$.

Package Drawings & Markings

Figure 50:
16-Lead Shrink Small Outline Package SSOP-16

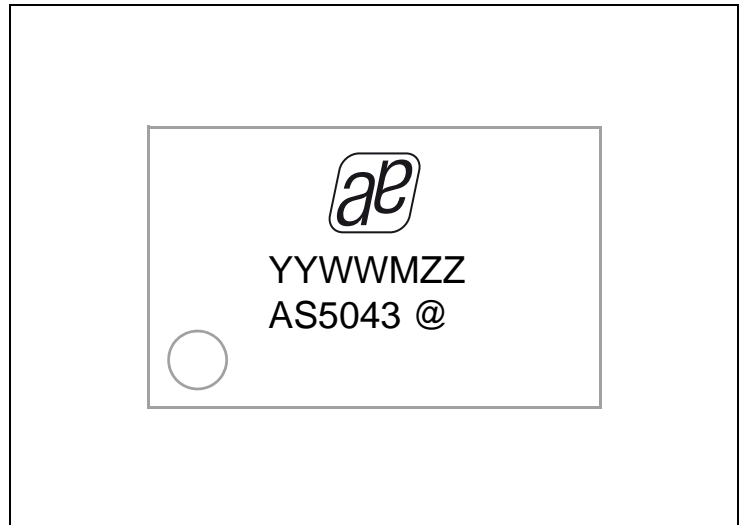


Note(s) and/or Footnote(s):

1. Dimensioning and tolerancing conform to ASME Y14.5M-1994.
2. All dimensions are in millimeters. Angles in degrees.
3. N is the total number of terminals.



**Figure 51:
Package Marking**



**Figure 52:
Package Code**

YY	WW	M	ZZ	@
Last two digits of the manufacturing year	Manufacturing week	Plant identifier	Free choice/traceability code	Sublot identifier

JEDEC Package Outline Standard:
MO - 150 AC

Thermal Resistance $R_{th(j-a)}$:
typ. 151 K/W in still air, soldered on PCB

IC's marked with a white dot or the letters "ES" denote Engineering Samples

Recommended PCB Footprint

Figure 53:
Recommended PCB Footprint

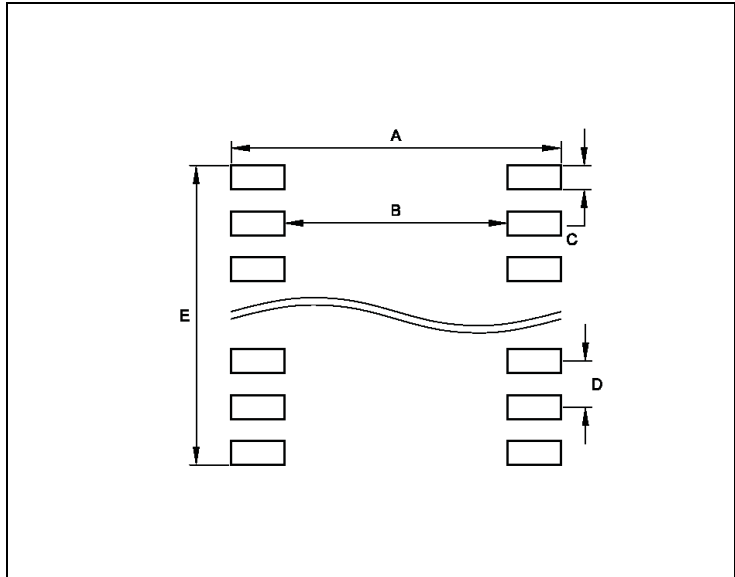


Figure 54:
Recommended Footprint Data

Recommended Footprint Data		
	mm	inch
A	9.02	0.355
B	6.16	0.242
C	0.46	0.018
D	0.65	0.025
E	5.01	0.197

Ordering & Contact Information

Figure 55:
Ordering Information

Ordering Code	Package	Marking	Delivery Form	Delivery Quantity
AS5043-ASSU	SSOP-16	AS5043	Tubes ⁽¹⁾	7700 pcs
AS5043-ASST	SSOP-16	AS5043	Tape & Reel	2000 pcs/reel

Note(s) and/or Footnote(s):

1. 1 tube = 77 devices

Buy our products or get free samples online at:

www.ams.com/ICdirect

Technical Support is available at:

www.ams.com/Technical-Support

Provide feedback about this document at:

www.ams.com/Document-Feedback

For further information and requests, e-mail us at:

ams_sales@ams.com

For sales offices, distributors and representatives, please visit:

www.ams.com/contact

Headquarters

ams

Tobelbaderstrasse 30

8141 Unterpremstaetten

Austria, Europe

Tel: +43 (0) 3136 500 0

Website: www.ams.com

RoHS Compliant & ams Green Statement

RoHS: The term RoHS compliant means that ams AG products fully comply with current RoHS directives. Our semiconductor products do not contain any chemicals for all 6 substance categories, including the requirement that lead not exceed 0.1% by weight in homogeneous materials. Where designed to be soldered at high temperatures, RoHS compliant products are suitable for use in specified lead-free processes.

ams Green (RoHS compliant and no Sb/Br): ams Green defines that in addition to RoHS compliance, our products are free of Bromine (Br) and Antimony (Sb) based flame retardants (Br or Sb do not exceed 0.1% by weight in homogeneous material).

Important Information: The information provided in this statement represents ams AG knowledge and belief as of the date that it is provided. ams AG bases its knowledge and belief on information provided by third parties, and makes no representation or warranty as to the accuracy of such information. Efforts are underway to better integrate information from third parties. ams AG has taken and continues to take reasonable steps to provide representative and accurate information but may not have conducted destructive testing or chemical analysis on incoming materials and chemicals. ams AG and ams AG suppliers consider certain information to be proprietary, and thus CAS numbers and other limited information may not be available for release.

Copyrights & Disclaimer

Copyright ams AG, Tobelbader Strasse 30, 8141 Unterpremstaetten, Austria-Europe. Trademarks Registered. All rights reserved. The material herein may not be reproduced, adapted, merged, translated, stored, or used without the prior written consent of the copyright owner.

Devices sold by ams AG are covered by the warranty and patent indemnification provisions appearing in its General Terms of Trade. ams AG makes no warranty, express, statutory, implied, or by description regarding the information set forth herein. ams AG reserves the right to change specifications and prices at any time and without notice. Therefore, prior to designing this product into a system, it is necessary to check with ams AG for current information. This product is intended for use in commercial applications. Applications requiring extended temperature range, unusual environmental requirements, or high reliability applications, such as military, medical life-support or life-sustaining equipment are specifically not recommended without additional processing by ams AG for each application. This product is provided by ams AG "AS IS" and any express or implied warranties, including, but not limited to the implied warranties of merchantability and fitness for a particular purpose are disclaimed.

ams AG shall not be liable to recipient or any third party for any damages, including but not limited to personal injury, property damage, loss of profits, loss of use, interruption of business or indirect, special, incidental or consequential damages, of any kind, in connection with or arising out of the furnishing, performance or use of the technical data herein. No obligation or liability to recipient or any third party shall arise or flow out of ams AG rendering of technical or other services.

Document Status

Document Status	Product Status	Definition
Product Preview	Pre-Development	Information in this datasheet is based on product ideas in the planning phase of development. All specifications are design goals without any warranty and are subject to change without notice
Preliminary Datasheet	Pre-Production	Information in this datasheet is based on products in the design, validation or qualification phase of development. The performance and parameters shown in this document are preliminary without any warranty and are subject to change without notice
Datasheet	Production	Information in this datasheet is based on products in ramp-up to full production or full production which conform to specifications in accordance with the terms of ams AG standard warranty as given in the General Terms of Trade
Datasheet (discontinued)	Discontinued	Information in this datasheet is based on products which conform to specifications in accordance with the terms of ams AG standard warranty as given in the General Terms of Trade, but these products have been superseded and should not be used for new designs

Revision Information

Changes from 1.80 to current revision 1-82 (2015-Dec-07)	Page
1.80 to 1-81 (2015-Nov-20)	
Content of austriamicrosystems datasheet was converted to latest ams design	
Added benefits to the Key Features	1
Added Mechanical Data section	53
Updated Package Drawings & Markings section	54
Updated Figure 55	57
1-81 (2015-Nov-20) to 1-82 (2015-Dec-07)	
Updated Figure 51	55

Note(s) and/or Footnote(s):

1. Page and figure numbers for the previous version may differ from page and figure numbers in the current revision
2. Correction of typographical errors is not explicitly mentioned.

Content Guide

1	General Description
1	Key Benefits & Features
2	Applications
3	Block Diagram
4	Pin Assignment
5	Pin Description
7	Absolute Maximum Ratings
8	Electrical Characteristics
8	Operating Conditions
8	DC Characteristics for Digital Inputs and Outputs
8	CMOS Schmitt-Trigger Inputs: CLK, CSn (internal Pull-up), Mode (internal Pull-down)
9	CMOS Input: Program Input (Prog)
9	CMOS Output Open Drain: MagRngn
10	Tristate CMOS Output: DO
10	Digital-to-Analog Converter
11	OPAMP Output Stage
12	Magnetic Input Specification
13	Electrical System Specifications
15	Timing Characteristics
16	Programming Conditions
17	Functional Description
18	3.3V / 5V Operation
19	10-Bit Absolute Synchronous Serial Interface (SSI)
19	Serial Data Contents
21	Z-Axis Range Indication (Push Button Feature, Red/Yellow/Green Indicator)
22	Mode Input Pin
23	Daisy Chain Mode
24	Analog Output
25	Analog Output Voltage Modes
25	Full Scale Mode
26	Diagnostic Output Mode
28	Programming the AS5040
30	Zero Position Programming
31	Analog Mode Programming
33	Angular Range Selector
36	Repeated OTP Programming
36	Non-Permanent Programming
36	Digital-to-Analog Converter (DAC)
36	Internal or External Reference
37	0-100% or 10-90% Full Scale Range
37	OP-AMP Stage
38	Output Noise
38	Application Examples

39	Analog Readback Mode
40	Alignment Mode
41	Choosing the Proper Magnet
42	Physical Placement of the Magnet
43	Magnet Placement
44	Simulation Modelling
46	Failure Diagnostics
46	Magnetic Field Strength Diagnosis
46	Power Supply Failure Detection
47	Angular Output Tolerances
47	Accuracy; Digital Outputs
48	Accuracy; Analog Output
49	Transition Noise
50	High Speed Operation
50	Sampling Rate
50	<i>Absolute Mode</i>
51	Output Delays
51	Angular Error Caused by Propagation Delay
51	Internal Timing Tolerance
52	Temperature
52	Magnetic Temperature Coefficient
52	Accuracy Over Temperature
52	Timing Tolerance Over Temperature
53	Mechanical Data
54	Package Drawings & Markings
56	Recommended PCB Footprint
57	Ordering & Contact Information
58	RoHS Compliant & ams Green Statement
59	Copyrights & Disclaimer
60	Document Status
61	Revision Information