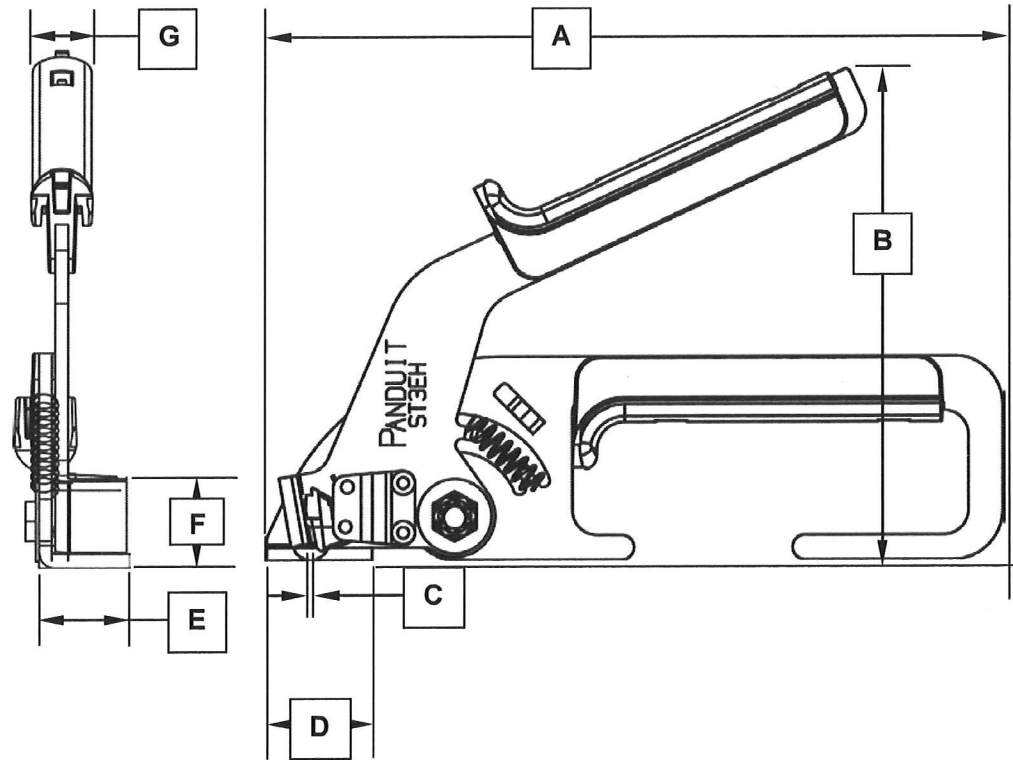


THIS COPY IS PROVIDED ON A RESTRICTED BASIS AND IS NOT TO BE USED IN ANY WAY DETRIMENTAL TO THE INTERESTS OF PANDUIT CORP.



**SPECIFICATIONS:**

PANDUIT TOOL NO: ST3EH  
 TOOL WEIGHT: 9 oz. (256 gr.)

INSTALLS ALL LH, H, & EH CROSS SECTION CABLE TIES.

**CABLE TIE CROSS-SECTION CODE:**

LH = Light Heavy      H = Heavy      EH = Extra Heavy

**THIS TOOL'S FEATURES INCLUDE:**

- Single handle trigger for fast installation
- Cable tie side entry for immediate positioning of tie and tool
- One hand operation – lightweight
- Installer controlled tension
- Cut-off capability with the twist of the wrist
- Easy removal of excess tie

**DIMENSIONS SHOWN IN PARENTHESES ARE (mm) METRIC:**

A = 7.50                    ( 190.50 ) OVERALL LENGTH  
 B = 5.0                    ( 127.00 ) OPEN HANDLE SPAN  
 C = .098 W x .604 L    ( 2.49 W x 15.24 L ) TIE ENTRY  
 D = 1.063                ( 27.00 ) HEIGHT OF HEAD  
 E = .875                  ( 22.23 ) DEPTH OF HEAD  
 F = .875                  ( 22.23 ) WIDTH OF HEAD  
 G = .50                    ( 12.70 ) DEPTH OF HANDLE

F:\RVUSERS\ENGDOCS\CUSTDWGS\TB25129A01\_01.doc

REV	DATE	BY	CHK	APR	DESCRIPTION	ECN	<b>ST3EH CABLE TIE INSTALLATION TOOL</b>				CUSTOMER DRAWING	
							ITEM REVISION NAME: <b>TB25129A01_01</b>				<b>PANDUIT</b>	
							UNLESS OTHERWISE SPECIFIED, DIMENSIONAL TOLERANCES ARE: (.x) ±    ---    (.xxx) ±    --- (.xx) ±    ---    ANGLES ±    ---				MATERIAL: -----	
01	2-07-13	BLR	<i>[Signature]</i>	<i>[Signature]</i>	UPD TEMPLATE & BRANDING	4608	THIRD ANGLE PROJECTION				DRAWING NUMBER: <b>TB25129A01</b>	
							DRAWN BY: BLR	DATE: 4-19-06	CHK BJPU	SCALE NONE	SHT 1 OF 1	SIZE <b>A</b>