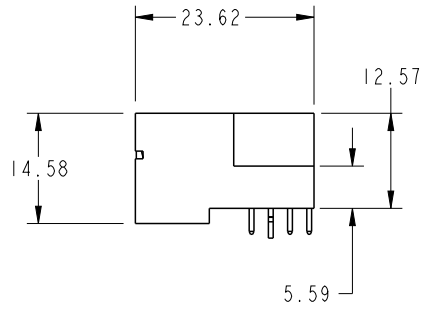
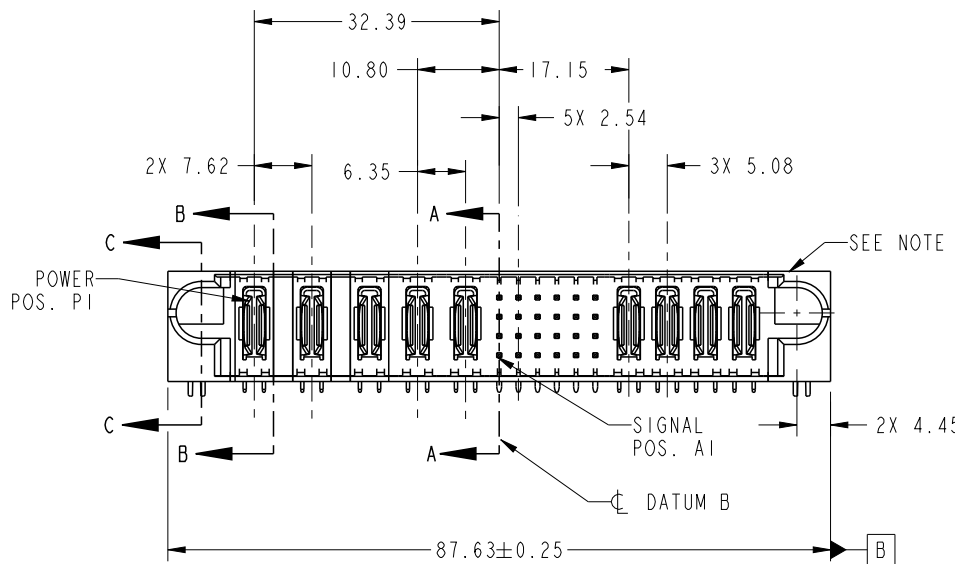


PRODUCT NO.	ROWS	POWER					SIGNAL						POWER				E2
		E1	P1	P2	P3	P4	P5	1	2	3	4	5	6	P6	P7	P8	
51939-522-- NOTE 3	D C B A		PA	PA	PA	PA	PA	UUUUUU	TTTTTTT	SSSSSS	RRRRRR	PA	PA	PA	PA		



CODE	DIM "M" MATING LENGTH	CONTACT TYPE
U	[6.86]	SIGNAL
T	[6.86]	SIGNAL
S	[6.86]	SIGNAL
R	[6.86]	SIGNAL
PA	[N/A]	POWER
HA	[N/A]	HOLD-DOWN



Copyright FCI.

spec ref	*	dr	Anson Liu	2010/04/23	projection	MM	size	A4	scale	1:1
tolerance std	TOLERANCES UNLESS OTHERWISE SPECIFIED	eng	wcadmin	2012/08/07			ecn no	-	rel level	Released
		chr	-	-						
surface	linear	0.X	±0.5	FCI	part no	3ACP + 2P + 24S + 4P	dwg no	51939-522	rev	A
		0.XX	±0.25							
		0.XXX	±0.1							
	angular	0°	±2°	www.fci.com	cat. no.	&model_name	Product - Customer Drw	sheet 1 of 4		

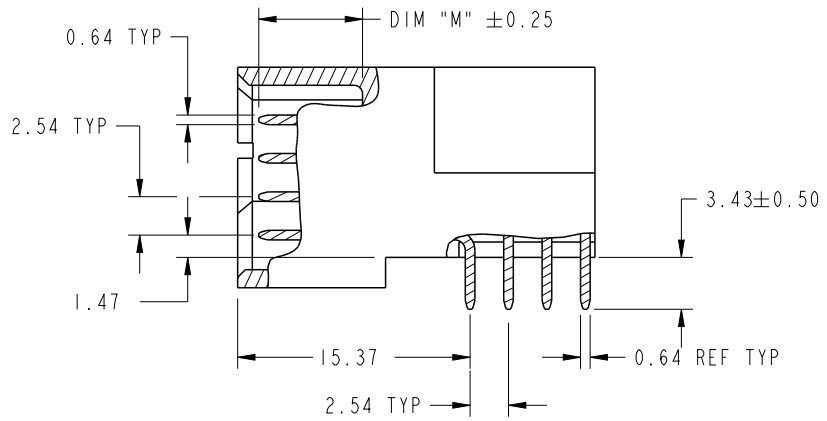
PrdE File - REV C - 2009-06-09

A

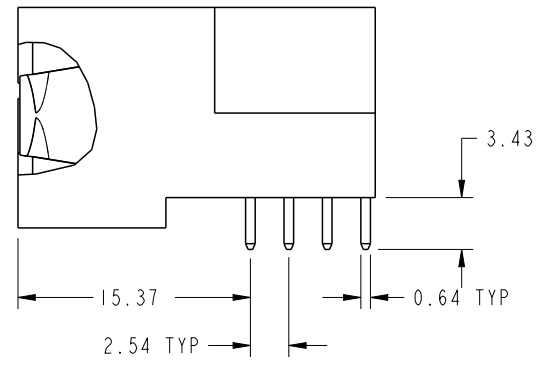
B

C

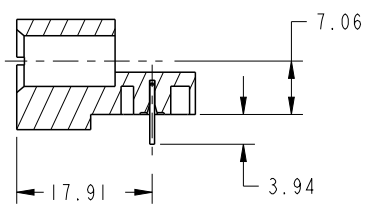
D



BROKEN-OUT SECTION A-A
SCALE 2:1



BROKEN-OUT SECTION B-B
SCALE 2:1



SECTION C-C



Copyright FCI.

spec ref	*	dr	Anson Liu	2010/04/23	projection	MM	size	A4	scale	1:1	
tolerance std	TOLERANCES UNLESS OTHERWISE SPECIFIED	eng	wcadmin	2012/08/07			ecn no	-			
		chr	-	-							
surface	✓	appr	Pei-Ming Zheng	2012/08/07	product family	PwrBlade	rel level	Released			
		linear	0.X	±0.5	www.fci.com	title	3ACP + 2P + 24S + 4P	dwg no	51939-522	rev	A
			0.XX	±0.25							
	0.XXX	±0.1									
	angular	0°	±2°	cat. no.	&model_name	Product - Customer Drw	sheet 2 of 4				

PrdE File - REV C - 2009-06-09

NOTES:

1. DIMENSIONS AND TOLERANCES ARE IN ACCORDANCE WITH ASME Y14.5M, 1994 UNLESS OTHERWISE SPECIFIED.

CONNECTOR NOTES:

- 2. HOUSING MATERIAL: UL 94 V-0 GLASS FILLED HIGH-TEMP THERMOPLASTIC
POWER CONTACT MATERIAL: COPPER ALLOY
SIGNAL PIN MATERIAL: COPPER ALLOY
- 3. SEE ITEM 1 & 2 IN PRINT 10064183 FOR PLATING SPEC OF 51939-522 AND 51939-522LF RESPECTIVELY.
- 4. MANUFACTURER'S NAME, DATE CODE AND OPTIONAL P/N TO APPEAR ON THIS SURFACE. THE P/N CAN BE OMITTED IF THERE IS NOT ENOUGH SPACE ON THIS SURFACE.
- 5. PRODUCT SPECIFICATION GS-12-149.
APPLICATION SPECIFICATION BUS-20-067.
- 6. PACKAGED IN TRAYS.

PCB NOTES:

- 7. ALL HOLE DIAMETERS ARE FINISHED HOLE SIZE.
- 8. MOUNTING HOLES, WHERE APPLICABLE, ARE UNPLATED.
- 9. $\varnothing 1.151 \pm 0.025$ DRILLED HOLES PLATED WITH
0.008 MIN SnPb OR Sn OVER 0.03
TO 0.08 Cu PLATING TO ACHIEVE
 $\varnothing 1.02 \pm 0.07$ HOLE.
- 10. "DIM XXX" TO BE DETERMINED BY THE CUSTOMER.
- 11. CONNECTOR KEEP-OUT ZONE.

spec ref *		dr Anson Liu		2010/04/23		projection		size A4		scale 1:1	
tolerance std		TOLERANCES UNLESS OTHERWISE SPECIFIED		eng wcadmin		2012/08/07		MM		ecn no -	
				chr -		-					
surface <input checked="" type="checkbox"/>		linear		appr Pei-Ming Zheng		2012/08/07		product family PwrBlade		rel level Released	
		angular		0°		±2°		www.fci.com		title 3ACP + 2P + 24S + 4P	
								dwg no 51939-522		sheet 4 of 4	
				cat. no.		&model_name		Product - Customer Drw			



Copyright FCI.